

**CITY OF MANTECA
 MAIN STREET (NORTHGATE DR – ALAMEDA ST) BIKE AND PEDESTRIAN
 IMPROVEMENT PROJECT
 CIP NO. 20005**

**ADDENDUM 1
 DATED: October 1, 2024**

This addendum forms part of the Contract Documents and modifies the original Plans and Specifications. **Bidders shall acknowledge receipt of this Addendum by signing the attached acknowledgement and including the Acknowledgement in their bid proposal.** Failure to include the Acknowledgement with their bid may subject the bidder to disqualification.

GENERAL:

The following changes, deletions, and additions shall be made to the following documents, as noted, and shall take precedence over the original Contract Documents. All other requirements remain the same.

<u>Item</u>	<u>Drawing/Specification</u>	<u>Description</u>
1.01 Specifications Section 7 Legal Relations and Responsibility to the Public (page 273)		<p><i>In accordance with the second paragraph of Section 7-1.02K(2):</i> For conformance with the federal “10-day rule,” the City shall access the federal wage rates within ten days prior to bid opening to see if updated rates have been posted. If the updated wage rates have been posted, the City shall to issue an addendum.</p> <p><i>Revised Specification Section Section 7-1.02K(2) to include (Attachment 1):</i> The wage rates have been updated on September 20, 2024 (General Decision Number: CA20240018 Modification #21).</p>
1.02 Specifications Section 37 Seal Coats (page 288)		<p><i>Revised Specifications Section 37 Seal Coats:</i></p> <p><i>Delete:</i> Replace the 4th paragraph of section 37-3.01C(3)(a) with: Use a continuous self-loading mixing machine except you may use truck mounted mixer spreaders on any of the following:</p> <ol style="list-style-type: none"> 1. Radii 2. Side streets 3. Gore areas 4. Areas requiring hand work
1.03 Specifications Section 39 Asphalt Concrete (Page 288)		<p><i>Revised Specifications Section 39 Asphalt Concrete:</i></p> <p><i>Add to the end of Section 39-2.01A(4)(i)(ii) In-Place Density</i> In addition to the Table above, the City of Manteca reserves the right to require a warranty period of 5 years for asphalt concrete</p>

<u>Item</u>	<u>Drawing/Specification</u>	<u>Description</u>
		pavement areas that fall within 89%-91% in-place density, instead of pursuing a payment reduction.
1.04 Plans		<p><i>Revised Plans to include 2023 Caltrans Revised Standard Plans (Attachment 2):</i></p> <ul style="list-style-type: none"> • RSP A20B • RSP RS5 • RSP ES-1C • RSP ES-4E • RSP ES-5E • RSP ES-7B • RSP ES-7F • RSP ES-7M • RSP ES-7R

**CITY OF MANTECA
MAIN STREET (NORTHGATE DR – ALAMEDA ST) BIKE AND PEDESTRIAN
IMPROVEMENT PROJECT
CIP NO. 20005**

**ADDENDUM 1
DATED: October 1, 2024**

I acknowledge receipt of Addendum No. 1.

Company _____

By: _____

Title: _____

Address: _____

Date: _____

**CITY OF MANTECA
MAIN STREET (NORTHGATE DR – ALAMEDA ST) BIKE AND PEDESTRIAN
IMPROVEMENT PROJECT
CIP NO. 20005**

**ADDENDUM 1
DATED: October 1, 2024**

ATTACHMENT 1

Updated Federal Wage Rates
General Decision Number: CA20240018 Modification #21 September 20, 2024

"General Decision Number: CA20240018 09/20/2024

Superseded General Decision Number: CA20230018

State: California

Construction Types: Building, Heavy (Heavy and Dredging) and Highway

Counties: Alameda, Calaveras, Contra Costa, Fresno, Kings, Madera, Mariposa, Merced, Monterey, San Benito, San Francisco, San Joaquin, San Mateo, Santa Clara, Santa Cruz, Stanislaus and Tuolumne Counties in California.

BUILDING CONSTRUCTION PROJECTS; DREDGING PROJECTS (does not include hopper dredge work); HEAVY CONSTRUCTION PROJECTS (does not include water well drilling); HIGHWAY CONSTRUCTION PROJECTS

Note: Contracts subject to the Davis-Bacon Act are generally required to pay at least the applicable minimum wage rate required under Executive Order 14026 or Executive Order 13658. Please note that these Executive Orders apply to covered contracts entered into by the federal government that are subject to the Davis-Bacon Act itself, but do not apply to contracts subject only to the Davis-Bacon Related Acts, including those set forth at 29 CFR 5.1(a)(1).

If the contract is entered into on or after January 30, 2022, or the contract is renewed or extended (e.g., an option is exercised) on or after January 30, 2022:	. Executive Order 14026 generally applies to the contract. . The contractor must pay all covered workers at least \$17.20 per hour (or the applicable wage rate listed on this wage determination, if it is higher) for all hours spent performing on the contract in 2024.
If the contract was awarded on or between January 1, 2015 and January 29, 2022, and the contract is not renewed or extended on or after January 30, 2022:	. Executive Order 13658 generally applies to the contract. . The contractor must pay all covered workers at least \$12.90 per hour (or the applicable wage rate listed on this wage determination, if it is higher) for all hours spent performing on that contract in 2024.

The applicable Executive Order minimum wage rate will be adjusted annually. If this contract is covered by one of the Executive Orders and a classification considered necessary for performance of work on the contract does not appear on this wage determination, the contractor must still submit a conformance request.

Additional information on contractor requirements and worker protections under the Executive Orders is available at

http://www.dol.gov/whd/govcontracts.

Modification Number	Publication Date
0	01/05/2024
1	01/12/2024
2	01/19/2024
3	01/26/2024
4	02/09/2024
5	02/16/2024
6	02/23/2024
7	03/01/2024
8	03/08/2024
9	03/15/2024
10	04/12/2024
11	04/26/2024
12	05/24/2024
13	07/05/2024
14	07/12/2024
15	07/19/2024
16	07/26/2024
17	08/09/2024
18	08/23/2024
19	09/06/2024
20	09/13/2024
21	09/20/2024

ASBE0016-004 01/01/2021

AREA 1: CALAVERAS, FRESNO, KINGS, MADERA, MARIPOSA, MERCED, MONTEREY, SAN BENITO, SAN JOAQUIN, SANTA CRUZ, STANISLAUS & TOULMNE COUNTIES

AREA 2: ALAMEDA, CONTRA COSTA, SAN FRANCISCO, SAN MATEO & SANTA CLARA COUNTIES

	Rates	Fringes
--	-------	---------

Asbestos Removal
worker/hazardous material
handler (Includes
preparation, wetting,
stripping, removal,
scrapping, vacuuming, bagging
and disposing of all
insulation materials from
mechanical systems, whether
they contain asbestos or not)

Area 1.....	\$ 30.45	10.60
Area 2.....	\$ 36.53	9.27

ASBE0016-008 01/01/2024

AREA 1: ALAMEDA, CONTRA COSTA, MONTEREY, SAN BENITO, SAN FRANCISCO, SAN MATEO, SANTA CLARA, & SANTA CRUZ

AREA 2: CALAVERAS, COLUSA, FRESNO, KINGS, MADERA, MARIPOSA, MERCED, SAN JOAQUIN, STANISLAUS, & TUOLUMNE

	Rates	Fringes
--	-------	---------

Asbestos Workers/Insulator
(Includes the application of

all insulating materials,
 Protective Coverings,
 Coatings, and Finishes to all
 types of mechanical systems)

Area 1.....	\$ 84.76	25.07
Area 2.....	\$ 64.56	25.07

 BOIL0549-001 01/01/2021

AREA 1: ALAMEDA, CONTRA COSTA, SAN FRANCISCO, SAN MATEO & SANTA CLARA COUNTIES

AREA 2: REMAINING COUNTIES

	Rates	Fringes
BOILERMAKER		
Area 1.....	\$ 49.62	41.27
Area 2.....	\$ 45.60	38.99

 BRCA0003-001 08/01/2023

	Rates	Fringes
MARBLE FINISHER.....	\$ 41.18	18.58

 BRCA0003-003 08/01/2023

	Rates	Fringes
MARBLE MASON.....	\$ 60.20	28.82

 BRCA0003-005 05/01/2024

	Rates	Fringes
BRICKLAYER		
(1) Fresno, Kings, Madera, Mariposa, Merced....	\$ 51.17	25.80
(7) San Francisco, San Mateo.....	\$ 57.02	28.50
(8) Alameda, Contra Costa, San Benito, Santa Clara.....	\$ 56.94	26.28
(9) Calaveras, San Joaquin, Stanislaus, Toulumne.....	\$ 52.76	25.01
(16) Monterey, Santa Cruz...	\$ 54.18	27.82

 BRCA0003-008 07/01/2023

	Rates	Fringes
TERRAZZO FINISHER.....	\$ 43.90	19.51
TERRAZZO WORKER/SETTER.....	\$ 59.06	28.31

 BRCA0003-011 04/01/2024

AREA 1: Alameda, Contra Costa, Monterey, San Benito, San Francisco, San Mateo, Santa Clara, Santa Cruz

AREA 2: Calaveras, San Joaquin, Stanislaus, Tuolumne

AREA 3: Fresno, Kings, Madera, Mariposa, Merced

	Rates	Fringes
TILE FINISHER		
Area 1.....	\$ 37.75	19.28
Area 2.....	\$ 34.76	19.22
Area 3.....	\$ 32.68	18.32
Tile Layer		
Area 1.....	\$ 59.92	22.62
Area 2.....	\$ 55.17	22.52
Area 3.....	\$ 50.28	22.05

 CARP0022-001 07/01/2023

San Francisco County

	Rates	Fringes
Carpenters		
Bridge Builder/Highway Carpenter.....	\$ 60.39	33.52
Hardwood Floorlayer, Shingler, Power Saw Operator, Steel Scaffold & Steel Shoring Erector, Saw Filer.....	\$ 60.54	33.52
Journeyman Carpenter.....	\$ 60.39	33.52
Millwright.....	\$ 60.49	35.11

 CARP0034-001 07/01/2021

	Rates	Fringes
Diver		
Assistant Tender, ROV Tender/Technician.....	\$ 54.10	34.69
Diver standby.....	\$ 60.51	34.69
Diver Tender.....	\$ 59.51	34.69
Diver wet.....	\$ 103.62	34.69
Manifold Operator (mixed gas).....	\$ 64.51	34.69
Manifold Operator (Standby).\$	59.51	34.69

DEPTH PAY (Surface Diving):

050 to 100 ft	\$2.00 per foot
101 to 150 ft	\$3.00 per foot
151 to 220 ft	\$4.00 per foot
221 ft.-deeper	\$5.00 per foot

SATURATION DIVING:

The standby rate shall apply until saturation starts. The saturation diving rate applies when divers are under pressure continuously until work task and decompression are complete. The diver rate shall be paid for all saturation hours.

DIVING IN ENCLOSURES:

Where it is necessary for Divers to enter pipes or tunnels, or other enclosures where there is no vertical ascent, the following premium shall be paid: Distance traveled from entrance 26 feet to 300 feet: \$1.00 per foot. When it is necessary for a diver to enter any pipe, tunnel or other enclosure less than 48" in height, the premium will be \$1.00 per foot.

WORK IN COMBINATION OF CLASSIFICATIONS:

Employees working in any combination of classifications within the diving crew (except dive supervisor) in a shift are paid in the classification with the highest rate for that shift.

 CARP0034-003 07/01/2021

	Rates	Fringes
Piledriver.....	\$ 54.10	34.69

 CARP0035-007 07/01/2020

AREA 1: Alameda, Contra Costa, San Francisco, San Mateo, Santa Clara counties

AREA 2: Monterey, San Benito, Santa Cruz Counties

AREA 3: Calaveras, Fresno, Kings, Madera, Mariposa, Merced, San Joaquin, Stanislaus, Tuolumne Counties

	Rates	Fringes
Modular Furniture Installer		
Area 1		
Installer.....	\$ 28.76	22.53
Lead Installer.....	\$ 32.21	23.03
Master Installer.....	\$ 36.43	23.03
Area 2		
Installer.....	\$ 26.11	22.53
Lead Installer.....	\$ 29.08	23.03
Master Installer.....	\$ 32.71	23.03
Area 3		
Installer.....	\$ 25.16	22.53
Lead Installer.....	\$ 27.96	23.03
Master Installer.....	\$ 31.38	23.03

 CARP0035-008 08/01/2020

AREA 1: Alameda, Contra Costa, San Francisco, San Mateo, Santa Clara counties

AREA 2: Monterey, San Benito, Santa Cruz Counties

AREA 3: San Joaquin

AREA 4: Calaveras, Fresno, Kings, Madera, Mariposa, Merced, Stanislaus, Tuolumne Counties

	Rates	Fringes
Drywall Installers/Lathers:		
Area 1.....	\$ 52.65	31.26
Area 2.....	\$ 46.77	31.26
Area 3.....	\$ 47.27	31.26
Area 4.....	\$ 45.92	31.26
Drywall Stocker/Scrapper		
Area 1.....	\$ 26.33	18.22
Area 2.....	\$ 23.39	18.22
Area 3.....	\$ 23.64	18.22

Area 4.....\$ 22.97 18.22

CARP0152-001 07/01/2020

Contra Costa County

	Rates	Fringes
Carpenters		
Bridge Builder/Highway Carpenter.....	\$ 52.65	30.82
Hardwood Floorlayer, Shingler, Power Saw Operator, Steel Scaffold & Steel Shoring Erector, Saw Filer.....	\$ 52.80	30.82
Journeyman Carpenter.....	\$ 52.65	30.82
Millwright.....	\$ 52.75	32.41

CARP0152-002 07/01/2020

San Joaquin County

	Rates	Fringes
Carpenters		
Bridge Builder/Highway Carpenter.....	\$ 52.65	30.82
Hardwood Floorlayer, Shingler, Power Saw Operator, Steel Scaffold & Steel Shoring Erector, Saw Filer.....	\$ 46.92	30.82
Journeyman Carpenter.....	\$ 46.77	30.82
Millwright.....	\$ 49.27	32.41

CARP0152-004 07/01/2020

Calaveras, Mariposa, Merced, Stanislaus and Tuolumne Counties

	Rates	Fringes
Carpenters		
Bridge Builder/Highway Carpenter.....	\$ 52.65	30.82
Hardwood Floorlayer, Shingler, Power Saw Operator, Steel Scaffold & Steel Shoring Erector, Saw Filer.....	\$ 45.57	30.82
Journeyman Carpenter.....	\$ 45.42	30.82
Millwright.....	\$ 47.92	32.41

CARP0217-001 07/01/2023

San Mateo County

	Rates	Fringes
Carpenters		
Bridge Builder/Highway Carpenter.....	\$ 60.39	33.52
Hardwood Floorlayer, Shingler, Power Saw Operator, Steel Scaffold &		

Steel Shoring Erector, Saw Filer.....	\$ 60.54	33.52
Journeyman Carpenter.....	\$ 60.39	33.52
Millwright.....	\$ 60.49	35.11

 CARP0405-001 07/01/2021

Santa Clara County

	Rates	Fringes
Carpenters		
Bridge Builder/Highway Carpenter.....	\$ 54.85	31.49
Hardwood Floorlayer, Shingler, Power Saw Operator, Steel Scaffold & Steel Shoring Erector, Saw Filer.....	\$ 55.00	31.49
Journeyman Carpenter.....	\$ 54.85	31.49
Millwright.....	\$ 54.95	33.08

 CARP0405-002 07/01/2021

San Benito County

	Rates	Fringes
Carpenters		
Bridge Builder/Highway Carpenter.....	\$ 54.85	31.49
Hardwood Floorlayer, Shingler, Power Saw Operator, Steel Scaffold & Steel Shoring Erector, Saw Filer.....	\$ 49.12	31.49
Journeyman Carpenter.....	\$ 48.97	31.49
Millwright.....	\$ 51.47	33.08

 CARP0505-001 07/01/2021

Santa Cruz County

	Rates	Fringes
Carpenters		
Bridge Builder/Highway Carpenter.....	\$ 54.85	31.49
Hardwood Floorlayer, Shingler, Power Saw Operator, Steel Scaffold & Steel Shoring Erector, Saw Filer.....	\$ 49.12	31.49
Journeyman Carpenter.....	\$ 48.97	31.49
Millwright.....	\$ 51.47	33.08

 CARP0605-001 07/01/2021

Monterey County

	Rates	Fringes
Carpenters		
Bridge Builder/Highway Carpenter.....	\$ 54.85	31.49

Hardwood Floorlayer, Shingler, Power Saw Operator, Steel Scaffold & Steel Shoring Erector, Saw Filer.....	\$ 49.12	31.49
Journeyman Carpenter.....	\$ 48.97	31.49
Millwright.....	\$ 51.47	33.08

 CARP0701-001 07/01/2021

Fresno and Madera Counties

	Rates	Fringes
Carpenters		
Bridge Builder/Highway Carpenter.....	\$ 54.85	31.49
Hardwood Floorlayer, Shingler, Power Saw Operator, Steel Scaffold & Steel Shoring Erector, Saw Filer.....	\$ 47.77	31.49
Journeyman Carpenter.....	\$ 47.62	31.49
Millwright.....	\$ 50.12	33.08

 CARP0713-001 07/01/2021

Alameda County

	Rates	Fringes
Carpenters		
Bridge Builder/Highway Carpenter.....	\$ 54.85	31.49
Hardwood Floorlayer, Shingler, Power Saw Operator, Steel Scaffold & Steel Shoring Erector, Saw Filer.....	\$ 55.00	31.49
Journeyman Carpenter.....	\$ 54.85	31.49
Millwright.....	\$ 54.95	33.08

 CARP1109-001 07/01/2021

Kings County

	Rates	Fringes
Carpenters		
Bridge Builder/Highway Carpenter.....	\$ 54.85	31.49
Hardwood Floorlayer, Shingler, Power Saw Operator, Steel Scaffold & Steel Shoring Erector, Saw Filer.....	\$ 47.77	31.49
Journeyman Carpenter.....	\$ 47.62	31.49
Millwright.....	\$ 50.12	33.08

 ELEC0006-004 11/01/2023

SAN FRANCISCO COUNTY

Rates	Fringes
-------	---------

Sound & Communications

Installer.....	\$ 51.68	3%+24.65
Technician.....	\$ 59.43	3%+24.65

SCOPE OF WORK: Including any data system whose only function is to transmit or receive information; excluding all other data systems or multiple systems which include control function or power supply; inclusion or exclusion of terminations and testings of conductors determined by their function; excluding fire alarm work when installed in raceways (including wire and cable pulling) and when performed on new or major remodel building projects or jobs for which the conductors for the fire alarm system are installed in conduit; excluding installation of raceway systems, line voltage work, industrial work, life-safety systems (all buildings having floors located more than 75' above the lowest floor level having building access); excluding energy management systems.

FOOTNOTE: Fire alarm work when installed in raceways (including wire and cable pulling), on projects which involve new or major remodel building construction, for which the conductors for the fire alarm system are installed in the conduit, shall be performed by the inside electrician.

 ELEC0006-007 06/01/2024

SAN FRANCISCO COUNTY

	Rates	Fringes
ELECTRICIAN.....	\$ 91.25	3%+45.315

 ELEC0100-002 06/01/2024

FRESNO, KINGS, AND MADERA COUNTIES

	Rates	Fringes
ELECTRICIAN.....	\$ 45.00	29.15

 ELEC0100-005 12/01/2023

FRESNO, KINGS, MADERA

	Rates	Fringes
Communications System		
Installer.....	\$ 42.48	27.42
Technician.....	\$ 48.85	27.42

SCOPE OF WORK
 Includes the installation testing, service and maintenance, of the following systems which utilize the transmission and/or transference of voice, sound, vision and digital for commercial, education, security and entertainment purposes for the following: TV monitoring and surveillance, background-foreground music, intercom and telephone interconnect, inventory control systems, microwave transmission, multi-media, multiplex, nurse call system, radio page, school intercom and sound, burglar alarms, and low voltage master clock systems.

A. SOUND AND VOICE TRANSMISSION/TRANSFERENCE SYSTEMS
 Background foreground music, Intercom and telephone
 interconnect systems, Telephone systems Nurse call systems,
 Radio page systems, School intercom and sound systems,
 Burglar alarm systems, Low voltage, master clock systems,
 Multi-media/multiplex systems, Sound and musical
 entertainment systems, RF systems, Antennas and Wave Guide,

B. FIRE ALARM SYSTEMS Installation, wire pulling and testing

C. TELEVISION AND VIDEO SYSTEMS Television monitoring and
 surveillance systems Video security systems, Video
 entertainment systems, Video educational systems, Microwave
 transmission systems, CATV and CCTV

D. SECURITY SYSTEMS Perimeter security systems Vibration
 sensor systems Card access systems Access control systems,
 Sonar/infrared monitoring equipment

E. COMMUNICATIONS SYSTEMS THAT TRANSMIT OR RECEIVE
 INFORMATION AND/OR CONTROL SYSTEMS THAT ARE INTRINSIC TO
 THE ABOVE LISTED SYSTEMS SCADA (Supervisory Control and
 Data Acquisition) PCM (Pulse Code Modulation) Inventory
 Control Systems, Digital Data Systems Broadband and
 Baseband and Carriers Point of Sale Systems, VSAT Data
 Systems Data Communication Systems RF and Remote Control
 Systems, Fiber Optic Data Systems

WORK EXCLUDED Raceway systems are not covered (excluding
 Ladder-Rack for the purpose of the above listed systems).
 Chases and/or nipples (not to exceed 10 feet) may be
 installed on open wiring systems. Energy management
 systems. SCADA (Supervisory Control and Data Acquisition)
 when not intrinsic to the above listed systems (in the
 scope). Fire alarm systems when installed in raceways
 (including wire and cable pulling) shall be performed at
 the electrician wage rate, when either of the following two
 (2) conditions apply:

1. The project involves new or major remodel building trades
 construction.
2. The conductors for the fire alarm system are installed in
 conduit.

 ELEC0234-001 12/25/2023

MONTEREY, SAN BENITO AND SANTA CRUZ COUNTIES

	Rates	Fringes
ELECTRICIAN		
Zone A.....	\$ 65.16	29.55
Zone B.....	\$ 71.68	29.75

Zone A: All of Santa Cruz, Monterey, and San Benito Counties
 within 25 air miles of Highway 1 and Dolan Road in Moss
 Landing, and an area extending 5 miles east and west of
 Highway 101 South to the San Luis Obispo County Line

Zone B: Any area outside of Zone A

 ELEC0234-003 12/01/2021

MONTEREY, SAN BENITO, AND SANTA CRUZ COUNTIES

	Rates	Fringes
Sound & Communications		
Installer.....	\$ 47.93	24.09
Technician.....	\$ 55.12	24.30

SCOPE OF WORK: Including any data system whose only function is to transmit or receive information; excluding all other data systems or multiple systems which include control function or power supply; inclusion or exclusion of terminations and testings of conductors determined by their function; excluding fire alarm work when installed in raceways (including wire and cable pulling) and when performed on new or major remodel building projects or jobs for which the conductors for the fire alarm system are installed in conduit; excluding installation of raceway systems, line voltage work, industrial work, life-safety systems (all buildings having floors located more than 75' above the lowest floor level having building access); excluding energy management systems.

FOOTNOTE: Fire alarm work when installed in raceways (including wire and cable pulling), on projects which involve new or major remodel building construction, for which the conductors for the fire alarm system are installed in the conduit, shall be performed by the inside electrician.

 ELEC0302-001 02/27/2023

CONTRA COSTA COUNTY

	Rates	Fringes
CABLE SPLICER.....	\$ 68.92	32.67
ELECTRICIAN.....	\$ 61.26	32.44

 ELEC0302-003 12/01/2023

CONTRA COSTA COUNTY

	Rates	Fringes
Sound & Communications		
Installer.....	\$ 48.44	27.60
Technician.....	\$ 55.71	27.82

SCOPE OF WORK: Including any data system whose only function is to transmit or receive information; excluding all other data systems or multiple systems which include control function or power supply; inclusion or exclusion of terminations and testings of conductors determined by their function; excluding fire alarm work when installed in raceways (including wire and cable pulling) and when performed on new or major remodel building projects or jobs for which the conductors for the fire alarm system are installed in conduit; excluding installation of raceway systems, line voltage work, industrial work, life-safety systems (all buildings having floors located more than 75' above the lowest floor level having building access); excluding energy management systems.

FOOTNOTE: Fire alarm work when installed in raceways

(including wire and cable pulling), on projects which involve new or major remodel building construction, for which the conductors for the fire alarm system are installed in the conduit, shall be performed by the inside electrician.

 ELEC0332-001 06/01/2024

SANTA CLARA COUNTY

	Rates	Fringes
CABLE SPLICER.....	\$ 100.25	46.72
ELECTRICIAN.....	\$ 87.17	46.33

FOOTNOTES: Work under compressed air or where gas masks are required, or work on ladders, scaffolds, stacks, "Bosun's chairs," or other structures and where the workers are not protected by permanent guard rails at a distance of 40 to 60 ft. from the ground or supporting structures: to be paid one and one-half times the straight-time rate of pay. Work on structures of 60 ft. or over (as described above): to be paid twice the straight-time rate of pay.

 ELEC0332-003 12/01/2023

SANTA CLARA COUNTY

	Rates	Fringes
Sound & Communications		
Installer.....	\$ 53.18	27.745
Technician.....	\$ 61.16	27.985

SCOPE OF WORK: Including any data system whose only function is to transmit or receive information; excluding all other data systems or multiple systems which include control function or power supply; inclusion or exclusion of terminations and testings of conductors determined by their function; excluding fire alarm work when installed in raceways (including wire and cable pulling) and when performed on new or major remodel building projects or jobs for which the conductors for the fire alarm system are installed in conduit; excluding installation of raceway systems, line voltage work, industrial work, life-safety systems (all buildings having floors located more than 75' above the lowest floor level having building access); excluding energy management systems.

FOOTNOTE: Fire alarm work when installed in raceways (including wire and cable pulling), on projects which involve new or major remodel building construction, for which the conductors for the fire alarm system are installed in the conduit, shall be performed by the inside electrician.

 ELEC0595-001 06/01/2024

ALAMEDA COUNTY

Rates	Fringes
-------	---------

CABLE SPLICER.....	\$ 84.18	3%+44.68
ELECTRICIAN.....	\$ 73.20	3%+44.68

 ELEC0595-002 06/01/2024

CALAVERAS AND SAN JOAQUIN COUNTIES

	Rates	Fringes
CABLE SPLICER.....	\$ 59.34	3%+30.48
ELECTRICIAN		
(1) Tunnel work.....	\$ 51.92	3%+30.48
(2) All other work.....	\$ 49.45	3%+30.48

 ELEC0595-006 11/01/2023

ALAMEDA COUNTY

	Rates	Fringes
Sound & Communications		
Installer.....	\$ 51.18	3%+24.15
Technician.....	\$ 58.86	3%+24.15

SCOPE OF WORK: Including any data system whose only function is to transmit or receive information; excluding all other data systems or multiple systems which include control function or power supply; inclusion or exclusion of terminations and testings of conductors determined by their function; excluding fire alarm work when installed in raceways (including wire and cable pulling) and when performed on new or major remodel building projects or jobs for which the conductors for the fire alarm system are installed in conduit; excluding installation of raceway systems, line voltage work, industrial work, life-safety systems (all buildings having floors located more than 75' above the lowest floor level having building access); excluding energy management systems.

FOOTNOTE: Fire alarm work when installed in raceways (including wire and cable pulling), on projects which involve new or major remodel building construction, for which the conductors for the fire alarm system are installed in the conduit, shall be performed by the inside electrician.

 ELEC0595-008 11/01/2023

CALAVERAS AND SAN JOAQUIN COUNTIES

	Rates	Fringes
Communications System		
Installer.....	\$ 40.88	3%+24.15
Technician.....	\$ 47.01	3%+24.15

SCOPE OF WORK: Including any data system whose only function is to transmit or receive information; excluding all other data systems or multiple systems which include control function or power supply; inclusion or exclusion of terminations and testings of conductors determined by their function; excluding fire alarm work when installed in raceways (including wire and cable pulling) and when performed on new or major remodel building projects or

jobs for which the conductors for the fire alarm system are installed in conduit; excluding installation of raceway systems, line voltage work, industrial work, life-safety systems (all buildings having floors located more than 75' above the lowest floor level having building access); excluding energy management systems.

FOOTNOTE: Fire alarm work when installed in raceways (including wire and cable pulling), on projects which involve new or major remodel building construction, for which the conductors for the fire alarm system are installed in the conduit, shall be performed by the inside electrician.

 ELEC0617-001 06/01/2024

SAN MATEO COUNTY

	Rates	Fringes
ELECTRICIAN.....	\$ 82.00	48.05

 ELEC0617-003 12/01/2023

SAN MATEO COUNTY

	Rates	Fringes
Sound & Communications		
Installer.....	\$ 53.18	27.75
Technician.....	\$ 61.16	27.98

SCOPE OF WORK: Including any data system whose only function is to transmit or receive information; excluding all other data systems or multiple systems which include control function or power supply; inclusion or exclusion of terminations and testings of conductors determined by their function; excluding fire alarm work when installed in raceways (including wire and cable pulling) and when performed on new or major remodel building projects or jobs for which the conductors for the fire alarm system are installed in conduit; excluding installation of raceway systems, line voltage work, industrial work, life-safety systems (all buildings having floors located more than 75' above the lowest floor level having building access); excluding energy management systems.

FOOTNOTE: Fire alarm work when installed in raceways (including wire and cable pulling), on projects which involve new or major remodel building construction, for which the conductors for the fire alarm system are installed in the conduit, shall be performed by the inside electrician.

 ELEC0684-001 06/01/2024

MARIPOSA, MERCED, STANISLAUS AND TUOLUMNE COUNTIES

	Rates	Fringes
ELECTRICIAN.....	\$ 47.50	29.36

CABLE SPLICER = 110% of Journeyman Electrician

ELEC0684-004 12/01/2023

MARIPOSA, MERCED, STANISLAUS AND TUOLUMNE COUNTIES

	Rates	Fringes
Communications System		
Installer.....	\$ 42.48	27.42
Technician.....	\$ 48.85	27.62

SCOPE OF WORK: Including any data system whose only function is to transmit or receive information; excluding all other data systems or multiple systems which include control function or power supply; inclusion or exclusion of terminations and testings of conductors determined by their function; excluding fire alarm work when installed in raceways (including wire and cable pulling) and when performed on new or major remodel building projects or jobs for which the conductors for the fire alarm system are installed in conduit; excluding installation of raceway systems, line voltage work, industrial work, life-safety systems (all buildings having floors located more than 75' above the lowest floor level having building access); excluding energy management systems.

FOOTNOTE: Fire alarm work when installed in raceways (including wire and cable pulling), on projects which involve new or major remodel building construction, for which the conductors for the fire alarm system are installed in the conduit, shall be performed by the inside electrician.

ELEC1245-001 06/01/2024

	Rates	Fringes
LINE CONSTRUCTION		
(1) Lineman; Cable splicer..	\$ 70.16	24.46
(2) Equipment specialist (operates crawler tractors, commercial motor vehicles, backhoes, trenchers, cranes (50 tons and below), overhead & underground distribution line equipment).....	\$ 53.30	22.01
(3) Groundman.....	\$ 40.76	21.51
(4) Powderman.....	\$ 51.87	18.79

HOLIDAYS: New Year's Day, M.L. King Day, Memorial Day, Independence Day, Labor Day, Veterans Day, Thanksgiving Day and day after Thanksgiving, Christmas Day

ELEV0008-001 01/01/2024

	Rates	Fringes
ELEVATOR MECHANIC.....	\$ 80.76	37.885+a+b

FOOTNOTE:
a. PAID VACATION: Employer contributes 8% of regular hourly rate as vacation pay credit for employees with more than 5

years of service, and 6% for 6 months to 5 years of service.
 b. PAID HOLIDAYS: New Year's Day, Memorial Day, Independence Day, Labor Day, Veterans' Day, Thanksgiving Day, Friday after Thanksgiving, and Christmas Day.

 ENGI0003-001 06/28/2023

""AREA 1"" WAGE RATES ARE LISTED BELOW

""AREA 2"" RECEIVES AN ADDITIONAL \$2.00 PER HOUR ABOVE AREA 1 RATES.

SEE AREA DEFINITIONS BELOW

	Rates	Fringes
OPERATOR: Power Equipment		
(AREA 1:)		
GROUP 1.....	\$ 60.72	31.03
GROUP 2.....	\$ 59.19	31.03
GROUP 3.....	\$ 57.71	31.03
GROUP 4.....	\$ 56.33	31.03
GROUP 5.....	\$ 55.06	31.03
GROUP 6.....	\$ 53.74	31.03
GROUP 7.....	\$ 52.60	31.03
GROUP 8.....	\$ 51.46	31.03
GROUP 8-A.....	\$ 49.25	31.03
OPERATOR: Power Equipment		
(Cranes and Attachments -		
AREA 1:)		
GROUP 1		
Cranes.....	\$ 52.30	31.15
Oiler.....	\$ 43.79	31.15
Truck crane oiler.....	\$ 46.08	31.15
GROUP 2		
Cranes.....	\$ 50.54	31.15
Oiler.....	\$ 42.83	31.15
Truck crane oiler.....	\$ 45.07	31.15
GROUP 3		
Cranes.....	\$ 48.80	31.15
Hydraulic.....	\$ 44.44	31.15
Oiler.....	\$ 42.55	31.15
Truck crane oiler.....	\$ 44.83	31.15
GROUP 4		
Cranes.....	\$ 45.76	31.15
OPERATOR: Power Equipment		
(Piledriving - AREA 1:)		
GROUP 1		
Lifting devices.....	\$ 52.64	31.15
Oiler.....	\$ 43.38	31.15
Truck Crane Oiler.....	\$ 45.66	31.15
GROUP 2		
Lifting devices.....	\$ 50.82	31.15
Oiler.....	\$ 43.11	31.15
Truck Crane Oiler.....	\$ 45.41	31.15
GROUP 3		
Lifting devices.....	\$ 49.14	31.15
Oiler.....	\$ 42.89	31.15
Truck Crane Oiler.....	\$ 45.12	31.15
GROUP 4		
Lifting devices.....	\$ 47.37	31.15
GROUP 5		
Lifting devices.....	\$ 44.73	31.15

GROUP 6		
Lifting devices.....	\$ 42.50	31.15
OPERATOR: Power Equipment		
(Steel Erection - AREA 1:)		
GROUP 1		
Cranes.....	\$ 53.27	31.15
Oiler.....	\$ 43.72	31.15
Truck Crane Oiler.....	\$ 45.95	31.15
GROUP 2		
Cranes.....	\$ 51.50	31.15
Oiler.....	\$ 43.45	31.15
Truck Crane Oiler.....	\$ 45.73	31.15
GROUP 3		
Cranes.....	\$ 50.02	31.15
Hydraulic.....	\$ 45.07	31.15
Oiler.....	\$ 43.23	31.15
Truck Crane Oiler.....	\$ 45.46	31.15
GROUP 4		
Cranes.....	\$ 48.00	31.15
GROUP 5		
Cranes.....	\$ 46.70	31.15
OPERATOR: Power Equipment		
(Tunnel and Underground Work		
- AREA 1:)		
SHAFTS, STOPES, RAISES:		
GROUP 1.....	\$ 56.82	31.03
GROUP 1-A.....	\$ 59.29	31.03
GROUP 2.....	\$ 55.56	31.03
GROUP 3.....	\$ 54.23	31.03
GROUP 4.....	\$ 53.09	31.03
GROUP 5.....	\$ 51.95	31.03
UNDERGROUND:		
GROUP 1.....	\$ 56.72	31.03
GROUP 1-A.....	\$ 59.19	31.03
GROUP 2.....	\$ 55.46	31.03
GROUP 3.....	\$ 54.13	31.03
GROUP 4.....	\$ 52.99	31.03
GROUP 5.....	\$ 51.85	31.03

FOOTNOTE: Work suspended by ropes or cables, or work on a Yo-Yo Cat: \$.60 per hour additional.

POWER EQUIPMENT OPERATOR CLASSIFICATIONS

GROUP 1: Operator of helicopter (when used in erection work); Hydraulic excavator, 7 cu. yds. and over; Power shovels, over 7 cu. yds.

GROUP 2: Highline cableway; Hydraulic excavator, 3-1/2 cu. yds. up to 7 cu. yds.; Licensed construction work boat operator, on site; Power blade operator (finish); Power shovels, over 1 cu. yd. up to and including 7 cu. yds. m.r.c.

GROUP 3: Asphalt milling machine; Cable backhoe; Combination backhoe and loader over 3/4 cu. yds.; Continuous flight tie back machine assistant to engineer or mechanic; Crane mounted continuous flight tie back machine, tonnage to apply; Crane mounted drill attachment, tonnage to apply; Dozer, slope brd; Gradall; Hydraulic excavator, up to 3 1/2 cu. yds.; Loader 4 cu. yds. and over; Long reach excavator; Multiple engine scraper (when used as push pull); Power shovels, up to and including 1 cu. yd.; Pre-stress wire wrapping machine; Side boom cat, 572 or larger; Track

loader 4 cu. yds. and over; Wheel excavator (up to and including 750 cu. yds. per hour)

GROUP 4: Asphalt plant engineer/box person; Chicago boom; Combination backhoe and loader up to and including 3/4 cu. yd.; Concrete batch plant (wet or dry); Dozer and/or push cat; Pull- type elevating loader; Gradesetter, grade checker (GPS, mechanical or otherwise); Grooving and grinding machine; Heading shield operator; Heavy-duty drilling equipment, Hughes, LDH, Watson 3000 or similar; Heavy-duty repairperson and/or welder; Lime spreader; Loader under 4 cu. yds.; Lubrication and service engineer (mobile and grease rack); Mechanical finishers or spreader machine (asphalt, Barber-Greene and similar); Miller Formless M-9000 slope paver or similar; Portable crushing and screening plants; Power blade support; Roller operator, asphalt; Rubber-tired scraper, self-loading (paddle-wheels, etc.); Rubber-tired earthmoving equipment (scrapers); Slip form paver (concrete); Small tractor with drag; Soil stabilizer (P & H or equal); Spider plow and spider puller; Tubex pile rig; Unlicensed construction work boat operator, on site; Timber skidder; Track loader up to 4 yds.; Tractor-drawn scraper; Tractor, compressor drill combination; Welder; Woods-Mixer (and other similar Pugmill equipment)

GROUP 5: Cast-in-place pipe laying machine; Combination slusher and motor operator; Concrete conveyor or concrete pump, truck or equipment mounted; Concrete conveyor, building site; Concrete pump or pumpcrete gun; Drilling equipment, Watson 2000, Texoma 700 or similar; Drilling and boring machinery, horizontal (not to apply to waterliners, wagon drills or jackhammers); Concrete mixer/all; Person and/or material hoist; Mechanical finishers (concrete) (Clary, Johnson, Bidwell Bridge Deck or similar types); Mechanical burm, curb and/or curb and gutter machine, concrete or asphalt); Mine or shaft hoist; Portable crusher; Power jumbo operator (setting slip-forms, etc., in tunnels); Screed (automatic or manual); Self-propelled compactor with dozer; Tractor with boom D6 or smaller; Trenching machine, maximum digging capacity over 5 ft. depth; Vermeer T-600B rock cutter or similar

GROUP 6: Armor-Coater (or similar); Ballast jack tamper; Boom- type backfilling machine; Assistant plant engineer; Bridge and/or gantry crane; Chemical grouting machine, truck-mounted; Chip spreading machine operator; Concrete saw (self-propelled unit on streets, highways, airports and canals); Deck engineer; Drilling equipment Texoma 600, Hughes 200 Series or similar up to and including 30 ft. m.r.c.; Drill doctor; Helicopter radio operator; Hydro-hammer or similar; Line master; Skidsteer loader, Bobcat larger than 743 series or similar (with attachments); Locomotive; Lull hi-lift or similar; Oiler, truck mounted equipment; Pavement breaker, truck-mounted, with compressor combination; Paving fabric installation and/or laying machine; Pipe bending machine (pipelines only); Pipe wrapping machine (tractor propelled and supported); Screed (except asphaltic concrete paving); Self-propelled pipeline wrapping machine; Tractor; Self-loading chipper; Concrete barrier moving machine

GROUP 7: Ballast regulator; Boom truck or dual-purpose A-frame truck, non-rotating - under 15 tons; Cary lift or similar; Combination slurry mixer and/or cleaner; Drilling

equipment, 20 ft. and under m.r.c.; Firetender (hot plant); Grouting machine operator; Highline cableway signalperson; Stationary belt loader (Kolman or similar); Lift slab machine (Vagtborg and similar types); Maginnes internal full slab vibrator; Material hoist (1 drum); Mechanical trench shield; Pavement breaker with or without compressor combination); Pipe cleaning machine (tractor propelled and supported); Post driver; Roller (except asphalt); Chip Seal; Self-propelled automatically applied concrete curing machine (on streets, highways, airports and canals); Self-propelled compactor (without dozer); Signalperson; Slip-form pumps (lifting device for concrete forms); Tie spacer; Tower mobile; Trenching machine, maximum digging capacity up to and including 5 ft. depth; Truck- type loader

GROUP 8: Bit sharpener; Boiler tender; Box operator; Brakeperson; Combination mixer and compressor (shotcrete/gunite); Compressor operator; Deckhand; Fire tender; Forklift (under 20 ft.); Generator; Gunite/shotcrete equipment operator; Hydraulic monitor; Ken seal machine (or similar); Mixermobile; Oiler; Pump operator; Refrigeration plant; Reservoir-debris tug (self-propelled floating); Ross Carrier (construction site); Rotomist operator; Self-propelled tape machine; Shuttlecar; Self-propelled power sweeper operator (includes vacuum sweeper); Slusher operator; Surface heater; Switchperson; Tar pot firetender; Tugger hoist, single drum; Vacuum cooling plant; Welding machine (powered other than by electricity)

GROUP 8-A: Elevator operator; Skidsteer loader-Bobcat 743 series or smaller, and similar (without attachments); Mini excavator under 25 H.P. (backhoe-trencher); Tub grinder wood chipper

ALL CRANES AND ATTACHMENTS

GROUP 1: Clamshell and dragline over 7 cu. yds.; Crane, over 100 tons; Derrick, over 100 tons; Derrick barge pedestal-mounted, over 100 tons; Self-propelled boom-type lifting device, over 100 tons

GROUP 2: Clamshell and dragline over 1 cu. yd. up to and including 7 cu. yds.; Crane, over 45 tons up to and including 100 tons; Derrick barge, 100 tons and under; Self-propelled boom-type lifting device, over 45 tons; Tower crane

GROUP 3: Clamshell and dragline up to and including 1 cu. yd.; Cranes 45 tons and under; Self-propelled boom-type lifting device 45 tons and under;

GROUP 4: Boom Truck or dual purpose A-frame truck, non-rotating over 15 tons; Truck-mounted rotating telescopic boom type lifting device, Manitex or similar (boom truck) over 15 tons; Truck-mounted rotating telescopic boom type lifting device, Manitex or similar (boom truck) - under 15 tons;

PILEDRIVERS

GROUP 1: Derrick barge pedestal mounted over 100 tons; Clamshell over 7 cu. yds.; Self-propelled boom-type lifting device over 100 tons; Truck crane or crawler, land or barge mounted over 100 tons

GROUP 2: Derrick barge pedestal mounted 45 tons to and including 100 tons; Clamshell up to and including 7 cu. yds.; Self-propelled boom-type lifting device over 45 tons; Truck crane or crawler, land or barge mounted, over 45 tons up to and including 100 tons; Fundex F-12 hydraulic pile rig

GROUP 3: Derrick barge pedestal mounted under 45 tons; Self-propelled boom-type lifting device 45 tons and under; Skid/scow piledriver, any tonnage; Truck crane or crawler, land or barge mounted 45 tons and under

GROUP 4: Assistant operator in lieu of assistant to engineer; Forklift, 10 tons and over; Heavy-duty repairperson/welder

GROUP 5: Deck engineer

GROUP 6: Deckhand; Fire tender

STEEL ERECTORS

GROUP 1: Crane over 100 tons; Derrick over 100 tons; Self-propelled boom-type lifting device over 100 tons

GROUP 2: Crane over 45 tons to 100 tons; Derrick under 100 tons; Self-propelled boom-type lifting device over 45 tons to 100 tons; Tower crane

GROUP 3: Crane, 45 tons and under; Self-propelled boom-type lifting device, 45 tons and under

GROUP 4: Chicago boom; Forklift, 10 tons and over; Heavy-duty repair person/welder

GROUP 5: Boom cat

TUNNEL AND UNDERGROUND WORK

GROUP 1-A: Tunnel bore machine operator, 20' diameter or more

GROUP 1: Heading shield operator; Heavy-duty repairperson; Mucking machine (rubber tired, rail or track type); Raised bore operator (tunnels); Tunnel mole bore operator

GROUP 2: Combination slusher and motor operator; Concrete pump or pumpcrete gun; Power jumbo operator

GROUP 3: Drill doctor; Mine or shaft hoist

GROUP 4: Combination slurry mixer cleaner; Grouting Machine operator; Motorman

GROUP 5: Bit Sharpener; Brakeman; Combination mixer and compressor (gunite); Compressor operator; Oiler; Pump operator; Slusher operator

AREA DESCRIPTIONS:

POWER EQUIPMENT OPERATORS, CRANES AND ATTACHMENTS, TUNNEL AND UNDERGROUND [These areas do not apply to Piledrivers and Steel Erectors]

AREA 1: ALAMEDA, CALAVERAS, CONTRA COSTA, FRESNO, KINGS, MADERA, MARIPOSA, MERCED, MONTEREY, SAN BENITO, SAN FRANCISCO, SAN JOAQUIN, SAN MATEO, SANTA CLARA, SANTA CRUZ, STANISLAUS, TUOLUMNE

AREA 2 -NOTED BELOW

THE REMAINING COUNTIES ARE SPLIT BETWEEN AREA 1 AND AREA 2 AS NOTED BELOW:

CALAVERAS COUNTY:

Area 1: Remainder
Area 2: Eastern Part

FRESNO COUNTY:

Area 1: Remainder
Area 2: Eastern Part

MADERA COUNTY:

Area 1: Remainder
Area 2: Eastern Part

MARIPOSA COUNTY:

Area 1: Remainder
Area 2: Eastern Part

MONTEREY COUNTY:

Area 1: Remainder
Area 2: Southwestern part

TUOLUMNE COUNTY:

Area 1: Remainder
Area 2: Eastern Part

ENGI0003-008 08/01/2024

Rates Fringes

Dredging: (DREDGING:
CLAMSHELL & DIPPER DREDGING;
HYDRAULIC SUCTION DREDGING:)

AREA 1:

(1) Leverman.....\$ 60.61 39.55

(2) Dredge Dozer; Heavy
duty repairman.....\$ 55.65 39.55

(3) Booster Pump
Operator; Deck

Engineer; Deck mate;
Dredge Tender; Winch
Operator.....\$ 54.53 39.55

(4) Bargeman; Deckhand;
Fireman; Leveehand; Oiler..\$ 51.23 39.55

AREA 2:

(1) Leverman.....\$ 62.61 39.55

(2) Dredge Dozer; Heavy
duty repairman.....\$ 57.65 39.55

(3) Booster Pump

Operator; Deck		
Engineer; Deck mate;		
Dredge Tender; Winch		
Operator.....	\$ 56.53	39.55
(4) Bargeman; Deckhand;		
Fireman; Leveehand; Oiler..	\$ 53.23	39.55

AREA DESCRIPTIONS

AREA 1: ALAMEDA,BUTTE, CONTRA COSTA, KINGS, MARIN, MERCED, NAPA, SACRAMENTO, SAN BENITO, SAN FRANCISCO, SAN JOAQUIN, SAN MATEO, SANTA CLARA, SANTA CRUZ, SOLANO, STANISLAUS, SUTTER, YOLO, AND YUBA COUNTIES

AREA 2: MODOC COUNTY

THE REMAINGING COUNTIES ARE SPLIT BETWEEN AREA 1 AND AREA 2 AS NOTED BELOW:

ALPINE COUNTY:

Area 1: Northernmost part
Area 2: Remainder

CALAVERAS COUNTY:

Area 1: Remainder
Area 2: Eastern part

COLUSA COUNTY:

Area 1: Eastern part
Area 2: Remainder

ELDORADO COUNTY:

Area 1: North Central part
Area 2: Remainder

FRESNO COUNTY:

Area 1: Remainder
Area 2: Eastern part

GLENN COUNTY:

Area 1: Eastern part
Area 2: Remainder

LASSEN COUNTY:

Area 1: Western part along the Southern portion of border with Shasta County
Area 2: Remainder

MADERA COUNTY:

Area 1: Except Eastern part
Area 2: Eastern part

MARIPOSA COUNTY

Area 1: Except Eastern part
Area 2: Eastern part

MONTERREY COUNTY

Area 1: Except Southwestern part
Area 2: Southwestern part

NEVADA COUNTY:

Area 1: All but the Northern portion along the border of Sierra County
Area 2: Remainder

PLACER COUNTY:

Area 1: All but the Central portion

Area 2: Remainder

PLUMAS COUNTY:

Area 1: Western portion

Area 2: Remainder

SHASTA COUNTY:

Area 1: All but the Northeastern corner

Area 2: Remainder

SIERRA COUNTY:

Area 1: Western part

Area 2: Remainder

SISKIYOU COUNTY:

Area 1: Central part

Area 2: Remainder

SONOMA COUNTY:

Area 1: All but the Northwestern corner

Area 2: Remainder

TEHAMA COUNTY:

Area 1: All but the Western border with Mendocino & Trinity Counties

Area 2: Remainder

TRINITY COUNTY:

Area 1: East Central part and the Northeastern border with Shasta County

Area 2: Remainder

TUOLUMNE COUNTY:

Area 1: Except Eastern part

Area 2: Eastern part

ENGI0003-019 07/01/2024

SEE AREA DESCRIPTIONS BELOW

	Rates	Fringes
OPERATOR: Power Equipment		
(LANDSCAPE WORK ONLY)		
GROUP 1		
AREA 1.....	\$ 52.40	28.52
AREA 2.....	\$ 54.40	28.52
GROUP 2		
AREA 1.....	\$ 48.80	28.52
AREA 2.....	\$ 50.80	28.52
GROUP 3		
AREA 1.....	\$ 44.19	28.52
AREA 2.....	\$ 46.19	28.52

GROUP DESCRIPTIONS:

GROUP 1: Landscape Finish Grade Operator: All finish grade work regardless of equipment used, and all equipment with a rating more than 65 HP.

GROUP 2: Landscape Operator up to 65 HP: All equipment with a manufacturer's rating of 65 HP or less except equipment

covered by Group 1 or Group 3. The following equipment shall be included except when used for finish work as long as manufacturer's rating is 65 HP or less: A-Frame and Winch Truck, Backhoe, Forklift, Hydragraphic Seeder Machine, Roller, Rubber-Tired and Track Earthmoving Equipment, Skiploader, Straw Blowers, and Trencher 31 HP up to 65 HP.

GROUP 3: Landscap Utility Operator: Small Rubber-Tired Tractor, Trencher Under 31 HP.

AREA DESCRIPTIONS:

AREA 1: ALAMEDA, BUTTE, CONTRA COSTA, KINGS, MARIN, MERCED, NAPA, SACRAMENTO, SAN BENITO, SAN FRANCISCO, SAN JOAQUIN, SAN MATEO, SANTA CLARA, SANTA CRUZ, SOLANO, STANISLAUS, SUTTER, YOLO, AND YUBA COUNTIES

AREA 2 - MODOC COUNTY

THE REMAINING COUNTIES ARE SPLIT BETWEEN AREA 1 AND AREA 2 AS NOTED BELOW:

ALPINE COUNTY:

Area 1: Northernmost part
Area 2: Remainder

CALAVERAS COUNTY:

Area 1: Except Eastern part
Area 2: Eastern part

COLUSA COUNTY:

Area 1: Eastern part
Area 2: Remainder

DEL NORTE COUNTY:

Area 1: Extreme Southwestern corner
Area 2: Remainder

ELDORADO COUNTY:

Area 1: North Central part
Area 2: Remainder

FRESNO COUNTY

Area 1: Except Eastern part
Area 2: Eastern part

GLENN COUNTY:

Area 1: Eastern part
Area 2: Remainder

HUMBOLDT COUNTY:

Area 1: Except Eastern and Southwestern parts
Area 2: Remainder

LAKE COUNTY:

Area 1: Southern part
Area 2: Remainder

LASSEN COUNTY:

Area 1: Western part along the Southern portion of border with Shasta County
Area 2: Remainder

MADERA COUNTY

Area 1: Remainder
Area 2: Eastern part

MARIPOSA COUNTY

Area 1: Remainder
Area 2: Eastern part

MENDOCINO COUNTY:

Area 1: Central and Southeastern parts
Area 2: Remainder

MONTEREY COUNTY

Area 1: Remainder
Area 2: Southwestern part

NEVADA COUNTY:

Area 1: All but the Northern portion along the border of
Sierra County
Area 2: Remainder

PLACER COUNTY:

Area 1: All but the Central portion
Area 2: Remainder

PLUMAS COUNTY:

Area 1: Western portion
Area 2: Remainder

SHASTA COUNTY:

Area 1: All but the Northeastern corner
Area 2: Remainder

SIERRA COUNTY:

Area 1: Western part
Area 2: Remainder

SISKIYOU COUNTY:

Area 1: Central part
Area 2: Remainder

SONOMA COUNTY:

Area 1: All but the Northwestern corner
Area 2: Reaminder

TEHAMA COUNTY:

Area 1: All but the Western border with mendocino & Trinity
Counties
Area 2: Remainder

TRINITY COUNTY:

Area 1: East Central part and the Northeaster border with
Shasta County
Area 2: Remainder

TULARE COUNTY;

Area 1: Remainder
Area 2: Eastern part

TUOLUMNE COUNTY:

Area 1: Remainder
Area 2: Eastern Part

ALAMEDA, CONTRA COSTA, SAN MATEO, SANTA CLARA COUNTIES

Rates Fringes

Ironworkers:

Fence Erector.....	\$ 42.53	26.26
Ornamental, Reinforcing and Structural.....	\$ 52.08	34.90

PREMIUM PAY:

\$6.00 additional per hour at the following locations:

China Lake Naval Test Station, Chocolate Mountains Naval Reserve-Niland, Edwards AFB, Fort Irwin Military Station, Fort Irwin Training Center-Goldstone, San Clemente Island, San Nicholas Island, Susanville Federal Prison, 29 Palms - Marine Corps, U.S. Marine Base - Barstow, U.S. Naval Air Facility - Sealey, Vandenberg AFB

\$4.00 additional per hour at the following locations:

Army Defense Language Institute - Monterey, Fallon Air Base, Naval Post Graduate School - Monterey, Yermo Marine Corps Logistics Center

\$2.00 additional per hour at the following locations:

Port Hueneme, Port Mugu, U.S. Coast Guard Station - Two Rock

IRON0377-003 01/01/2024

SAN FRANCISCO CITY and COUNTY

Rates Fringes

Ironworkers:

Fence Erector.....	\$ 42.53	26.26
Ornamental, Reinforcing and Structural.....	\$ 52.58	34.90

PREMIUM PAY:

\$6.00 additional per hour at the following locations:

China Lake Naval Test Station, Chocolate Mountains Naval Reserve-Niland, Edwards AFB, Fort Irwin Military Station, Fort Irwin Training Center-Goldstone, San Clemente Island, San Nicholas Island, Susanville Federal Prison, 29 Palms - Marine Corps, U.S. Marine Base - Barstow, U.S. Naval Air Facility - Sealey, Vandenberg AFB

\$4.00 additional per hour at the following locations:

Army Defense Language Institute - Monterey, Fallon Air Base, Naval Post Graduate School - Monterey, Yermo Marine Corps Logistics Center

\$2.00 additional per hour at the following locations:

Port Hueneme, Port Mugu, U.S. Coast Guard Station - Two Rock

IRON0433-005 01/01/2024

REMAINING COUNTIES

	Rates	Fringes
IRONWORKER		
Fence Erector.....	\$ 42.53	26.26
Ornamental, Reinforcing and Structural.....	\$ 47.45	34.90

PREMIUM PAY:

\$6.00 additional per hour at the following locations:

China Lake Naval Test Station, Chocolate Mountains Naval Reserve-Niland, Edwards AFB, Fort Irwin Military Station, Fort Irwin Training Center-Goldstone, San Clemente Island, San Nicholas Island, Susanville Federal Prison, 29 Palms - Marine Corps, U.S. Marine Base - Barstow, U.S. Naval Air Facility - Sealey, Vandenberg AFB

\$4.00 additional per hour at the following locations:

Army Defense Language Institute - Monterey, Fallon Air Base, Naval Post Graduate School - Monterey, Yermo Marine Corps Logistics Center

\$2.00 additional per hour at the following locations:

Port Hueneme, Port Mugu, U.S. Coast Guard Station - Two Rock

LAB00067-006 07/01/2024

AREA ""1"" - ALAMEDA, CONTRA COSTA, SAN FRANCISCO, SAN MATEO AND SANTA CLARA COUNTIES

AREA ""2"" - CALAVERAS, FRESNO, KINGS, MADERA, MARIPOSA, MERCED, MONTEREY, SAN BENITO, SAN JOAQUIN, STANISLAUS, AND TUOLUMNE COUNTIES

	Rates	Fringes
LABORER (ASBESTOS/MOLD/LEAD LABORER)		
Area 1.....	\$ 37.75	29.69
Area 2.....	\$ 36.75	29.69

ASBESTOS REMOVAL-SCOPE OF WORK: Site mobilization; initial site clean-up; site preparation; removal of asbestos-containing materials from walls and ceilings; or from pipes, boilers and mechanical systems only if they are being scrapped; encapsulation, enclosure and disposal of asbestos-containing materials by hand or with equipment or machinery; scaffolding; fabrication of temporary wooden barriers; and assembly of decontamination stations.

LAB00073-002 07/01/2023

CALAVERAS AND SAN JOAQUIN COUNTIES

	Rates	Fringes
LABORER (TRAFFIC CONTROL/LANE CLOSURE)		
Escort Driver, Flag Person..	\$ 36.26	27.30
Traffic Control Person I....	\$ 36.56	27.30
Traffic Control Person II...	\$ 34.06	27.30

TRAFFIC CONTROL PERSON I: Layout of traffic control, crash cushions, construction area and roadside signage.

TRAFFIC CONTROL PERSON II: Installation and removal of temporary/permanent signs, markers, delineators and crash cushions.

LAB0073-003 07/01/2023

SAN JOAQUIN COUNTY

	Rates	Fringes
LABORER		
Mason Tender-Brick.....	\$ 36.29	25.55

LAB0073-005 06/26/2023

	Rates	Fringes
Tunnel and Shaft Laborers:		
GROUP 1.....	\$ 45.89	27.72
GROUP 2.....	\$ 45.66	27.72
GROUP 3.....	\$ 45.41	27.72
GROUP 4.....	\$ 44.96	27.72
GROUP 5.....	\$ 44.42	27.72
Shotcrete Specialist.....	\$ 46.41	27.72

TUNNEL AND SHAFT CLASSIFICATIONS

GROUP 1: Diamond driller; Groundmen; Gunite and shotcrete nozzlemen

GROUP 2: Rodmen; Shaft work & raise (below actual or excavated ground level)

GROUP 3: Bit grinder; Blaster, driller, powdermen, heading; Cherry pickermen - where car is lifted; Concrete finisher in tunnel; Concrete screedman; Grout pumpman and potman; Gunite & shotcrete gunman & potman; Headermen; High pressure nozzleman; Miner - tunnel, including top and bottom man on shaft and raise work; Nipper; Nozzleman on slick line; Sandblaster - potman, Robotic Shotcrete Placer, Segment Erector, Tunnel Muck Hauler, Steel Form raiser and setter; Timberman, retimberman (wood or steel or substitute materials therefore); Tugger (for tunnel laborer work); Cable tender; Chuck tender; Powderman - primer house

GROUP 4: Vibrator operator, pavement breaker; Bull gang - muckers, trackmen; Concrete crew - includes rodding and spreading, Dumpmen (any method)

GROUP 5: Grout crew; Reboundman; Swamper/ Brakeman

CALAVERAS AND SAN JOAQUIN COUNTIES

	Rates	Fringes
LABORER (CONSTRUCTION CRAFT LABORERS)		
Construction Specialist		
Group.....	\$ 36.20	27.30
GROUP 1.....	\$ 35.50	27.30
GROUP 1-a.....	\$ 35.72	27.30
GROUP 1-c.....	\$ 35.55	27.30
GROUP 1-e.....	\$ 36.05	27.30
GROUP 1-f.....	\$ 30.37	23.20
GROUP 2.....	\$ 35.35	27.30
GROUP 3.....	\$ 35.25	27.30
GROUP 4.....	\$ 28.94	27.30
See groups 1-b and 1-d under laborer classifications.		
LABORER (GARDENERS, HORTICULTURAL & LANDSCAPE LABORERS)		
(1) New Construction.....	\$ 35.25	27.30
(2) Establishment Warranty Period.....	\$ 28.94	27.30
LABORER (GUNITE)		
GROUP 1.....	\$ 36.46	27.30
GROUP 2.....	\$ 35.96	27.30
GROUP 3.....	\$ 35.37	27.30
GROUP 4.....	\$ 35.25	27.30
LABORER (WRECKING)		
GROUP 1.....	\$ 35.50	27.30
GROUP 2.....	\$ 35.35	27.30

FOOTNOTES:

Laborers working off or with or from bos'n chairs, swinging scaffolds, belts shall receive \$0.25 per hour above the applicable wage rate. This shall not apply to workers entitled to receive the wage rate set forth in Group 1-a below.

LABORER CLASSIFICATIONS

CONSTRUCTION SPECIALIST GROUP: Asphalt ironer and raker; Chainsaw; Laser beam in connection with laborers' work; Cast-in-place manhole form setter; Pressure pipelayer; Davis trencher - 300 or similar type (and all small trenchers); Blaster; Diamond driller; Multiple unit drill; Hydraulic drill

GROUP 1: Asphalt spreader boxes (all types); Barko, Wacker and similar type tampers; Buggymobile; Caulker, bander, pipewrapper, conduit layer, plastic pipelayer; Certified hazardous waste worker including Leade Abatement; Compactors of all types; Concrete and magnesite mixer, 1/2 yd. and under; Concrete pan work; Concrete sander; Concrete saw; Cribber and/or shoring; Cut granite curb setter; Dri-pak-it machine; Faller, logloader and bucket; Form raiser, slip forms; Green cutter; Headerboard, Hubsetter, aligner, by any method; High pressure blow pipe (1-1/2" or over, 100 lbs. pressure/over); Hydro seeder and similar type; Jackhammer operator; Jacking of pipe over 12 inches;

Jackson and similar type compactor; Kettle tender, pot and worker applying asphalt, lay-kold, creosote, lime, caustic and similar type materials (applying means applying, dipping or handling of such materials); Lagging, sheeting, whaling, bracing, trenchjacking, lagging hammer; Magnesite, epoxyresin, fiberglass, mastic worker (wet or dry); No joint pipe and stripping of same, including repair of voids; Pavement breaker and spader, including tool grinder; Perma curb; Pipelayer (including grade checking in connection with pipelaying); Precast-manhole setter; Pressure pipe tester; Post hole digger, air, gas and electric; Power broom sweeper; Power tampers of all types (except as shown in Group 2); Ram set gun and stud gun; Riprap stonepaver and rock-slinger, including placing of sacked concrete and/or sand (wet or dry) and gabions and similar type; Rotary scarifier or multiple head concrete chipping scarifier; Roto and Ditch Witch; Rototiller; Sandblaster, pot, gun, nozzle operators; Signalling and rigging; Tank cleaner; Tree climber; Turbo blaster; Vibrascreed, bull float in connection with laborers' work; Vibrator; Hazardous waste worker (lead removal); Asbestos and mold removal worker

GROUP 1-a: Joy drill model TWM-2A; Gardner-Denver model DH143 and similar type drills; Track driller; Jack leg driller; Wagon driller; Mechanical drillers, all types regardless of type or method of power; Mechanical pipe layers, all types regardless of type or method of power; Blaster and powder; All work of loading, placing and blasting of all powder and explosives of whatever type regardless of method used for such loading and placing; High scalers (including drilling of same); Tree topper; Bit grinder

GROUP 1-b: Sewer cleaners shall receive \$4.00 per day above Group 1 wage rates. "Sewer cleaner" means any worker who handles or comes in contact with raw sewage in small diameter sewers. Those who work inside recently active, large diameter sewers, and all recently active sewer manholes shall receive \$5.00 per day above Group 1 wage rates.

GROUP 1-c: Burning and welding in connection with laborers' work; Synthetic thermoplastics and similar type welding

GROUP 1-d: Maintenance and repair track and road beds. All employees performing work covered herein shall receive \$.25 per hour above their regular rate for all work performed on underground structures not specifically covered herein. This paragraph shall not be construed to apply to work below ground level in open cut. It shall apply to cut and cover work of subway construction after the temporary cover has been placed.

GROUP 1-e: Work on and/or in bell hole footings and shafts thereof, and work on and in deep footings. (A deep footing is a hole 15 feet or more in depth.) In the event the depth of the footing is unknown at the commencement of excavation, and the final depth exceeds 15 feet, the deep footing wage rate would apply to all employees for each and every day worked on or in the excavation of the footing from the date of inception.

GROUP 1-f: Wire winding machine in connection with guniting or shot crete

GROUP 2: Asphalt shoveler; Cement dumper and handling dry cement or gypsum; Choke-setter and rigger (clearing work); Concrete bucket dumper and chute; Concrete chipping and grinding; Concrete laborer (wet or dry); Driller tender, chuck tender, nipper; Guinea chaser (stake), grout crew; High pressure nozzle, adductor; Hydraulic monitor (over 100 lbs. pressure); Loading and unloading, carrying and hauling of all rods and materials for use in reinforcing concrete construction; Pittsburgh chipper and similar type brush shredders; Sloper; Single foot, hand-held, pneumatic tamper; All pneumatic, air, gas and electric tools not listed in Groups 1 through 1-f; Jacking of pipe - under 12 inches

GROUP 3: Construction laborers, including bridge and general laborer; Dump, load spotter; Flag person; Fire watcher; Fence erector; Guardrail erector; Gardener, horticultural and landscape laborer; Jetting; Limber, brush loader and piler; Pavement marker (button setter); Maintenance, repair track and road beds; Streetcar and railroad construction track laborer; Temporary air and water lines, Victaulic or similar; Tool room attendant (jobsite only)

GROUP 4: Final clean-up work of debris, grounds and building including but not limited to: street cleaner; cleaning and washing windows; brick cleaner (jobsite only); material cleaner (jobsite only). The classification "material cleaner" is to be utilized under the following conditions:

- A: at demolition site for the salvage of the material.
- B: at the conclusion of a job where the material is to be salvaged and stocked to be reused on another job.
- C: for the cleaning of salvage material at the jobsite or temporary jobsite yard.

The material cleaner classification should not be used in the performance of "form stripping, cleaning and oiling and moving to the next point of erection".

GUNITE LABORER CLASSIFICATIONS

GROUP 1: Structural Nozzleman

GROUP 2: Nozzleman, Gunman, Potman, Groundman

GROUP 3: Reboundman

GROUP 4: Gunite laborer

WRECKING WORK LABORER CLASSIFICATIONS

GROUP 1: Skilled wrecker (removing and salvaging of sash, windows and materials)

GROUP 2: Semi-skilled wrecker (salvaging of other building materials)

LAB00073-009 07/01/2023

CALAVERAS AND SAN JOAQUIN COUNTIES

	Rates	Fringes
LABORER (Plaster Tender).....	\$ 39.77	28.54

Work on a swing stage scaffold: \$1.00 per hour additional.

LAB00261-003 07/01/2023

SAN FRANCISCO AND SAN MATEO COUNTIES

	Rates	Fringes
LABORER (TRAFFIC CONTROL/LANE CLOSURE)		
Escort Driver, Flag Person..	\$ 37.26	27.30
Traffic Control Person I....	\$ 37.56	27.30
Traffic Control Person II...\$	35.06	27.30

TRAFFIC CONTROL PERSON I: Layout of traffic control, crash cushions, construction area and roadside signage.

TRAFFIC CONTROL PERSON II: Installation and removal of temporary/permanent signs, markers, delineators and crash cushions.

LAB00261-005 06/26/2023

SAN FRANCISCO AND SAN MATEO COUNTIES

	Rates	Fringes
Tunnel and Shaft Laborers:		
GROUP 1.....	\$ 45.89	27.72
GROUP 2.....	\$ 45.66	27.72
GROUP 3.....	\$ 45.41	27.72
GROUP 4.....	\$ 44.96	27.72
GROUP 5.....	\$ 44.42	27.72
Shotcrete Specialist.....	\$ 46.41	27.72

TUNNEL AND SHAFT CLASSIFICATIONS

GROUP 1: Diamond driller; Groundmen; Gunite and shotcrete nozzlemen

GROUP 2: Rodmen; Shaft work & raise (below actual or excavated ground level)

GROUP 3: Bit grinder; Blaster, driller, powdermen, heading; Cherry pickermen - where car is lifted; Concrete finisher in tunnel; Concrete screedman; Grout pumpman and potman; Gunite & shotcrete gunman & potman; Headermen; High pressure nozzleman; Miner - tunnel, including top and bottom man on shaft and raise work; Nipper; Nozzleman on slick line; Sandblaster - potman, Robotic Shotcrete Placer, Segment Erector, Tunnel Muck Hauler, Steel Form raiser and setter; Timberman, retimberman (wood or steel or substitute materials therefore); Tugger (for tunnel laborer work); Cable tender; Chuck tender; Powderman - primer house

GROUP 4: Vibrator operator, pavement breaker; Bull gang - muckers, trackmen; Concrete crew - includes rodding and spreading, Dumpmen (any method)

GROUP 5: Grout crew; Reboundman; Swamper/ Brakeman

SAN FRANCISCO, AND SAN MATEO COUNTIES

	Rates	Fringes
LABORER (CONSTRUCTION CRAFT LABORERS - AREA A:)		
Construction Specialist		
Group.....	\$ 37.20	27.30
GROUP 1.....	\$ 36.50	27.30
GROUP 1-a.....	\$ 36.72	27.30
GROUP 1-c.....	\$ 36.55	27.30
GROUP 1-e.....	\$ 37.05	27.30
GROUP 1-f.....	\$ 31.37	23.20
GROUP 2.....	\$ 36.35	27.30
GROUP 3.....	\$ 36.25	27.30
GROUP 4.....	\$ 29.94	27.30
See groups 1-b and 1-d under laborer classifications.		
LABORER (GARDENERS, HORTICULTURAL & LANDSCAPE LABORERS - AREA A:)		
(1) New Construction.....	\$ 36.25	27.30
(2) Establishment Warranty Period.....	\$ 29.94	27.30
LABORER (WRECKING - AREA A:)		
GROUP 1.....	\$ 36.50	27.30
GROUP 2.....	\$ 36.35	27.30
Laborers: (GUNITE - AREA A:)		
GROUP 1.....	\$ 37.46	27.30
GROUP 2.....	\$ 36.96	27.30
GROUP 3.....	\$ 36.37	27.30
GROUP 4.....	\$ 36.25	27.30

FOOTNOTES:

Laborers working off or with or from bos'n chairs, swinging scaffolds, belts shall receive \$0.25 per hour above the applicable wage rate. This shall not apply to workers entitled to receive the wage rate set forth in Group 1-a below.

LABORER CLASSIFICATIONS

CONSTRUCTION SPECIALIST GROUP: Asphalt ironer and raker; Chainsaw; Laser beam in connection with laborers' work; Cast-in- place manhole form setter; Pressure pipelayer; Davis trencher - 300 or similar type (and all small trenchers); Blaster; Diamond driller; Multiple unit drill; Hydraulic drill

GROUP 1: Asphalt spreader boxes (all types); Banko, Wacker and similar type tampers; Buggymobile; Caulker, bander, pipewrapper, conduit layer, plastic pipelayer; Certified hazardous waste worker including Leade Abatement; Compactors of all types; Concrete and magnesite mixer, 1/2 yd. and under; Concrete pan work; Concrete sander; Concrete saw; Cribber and/or shoring; Cut granite curb setter; Dri-pak-it machine; Faller, logloader and buckler; Form raiser, slip forms; Green cutter; Headerboard, Hubsetter, aligner, by any method; High pressure blow pipe (1-1/2" or

over, 100 lbs. pressure/over); Hydro seeder and similar type; Jackhammer operator; Jacking of pipe over 12 inches; Jackson and similar type compactor; Kettle tender, pot and worker applying asphalt, lay-kold, creosote, lime, caustic and similar type materials (applying means applying, dipping or handling of such materials); Lagging, sheeting, whaling, bracing, trenchjacking, lagging hammer; Magnesite, epoxyresin, fiberglass, mastic worker (wet or dry); No joint pipe and stripping of same, including repair of voids; Pavement breaker and spader, including tool grinder; Perma curb; Pipelayer (including grade checking in connection with pipelaying); Precast-manhole setter; Pressure pipe tester; Post hole digger, air, gas and electric; Power broom sweeper; Power tampers of all types (except as shown in Group 2); Ram set gun and stud gun; Riprap stonepaver and rock-slinger, including placing of sacked concrete and/or sand (wet or dry) and gabions and similar type; Rotary scarifier or multiple head concrete chipping scarifier; Roto and Ditch Witch; Rototiller; Sandblaster, pot, gun, nozzle operators; Signalling and rigging; Tank cleaner; Tree climber; Turbo blaster; Vibrascreed, bull float in connection with laborers' work; Vibrator; Hazardous waste worker (lead removal); Asbestos and mold removal worker

GROUP 1-a: Joy drill model TWM-2A; Gardner-Denver model DH143 and similar type drills; Track driller; Jack leg driller; Wagon driller; Mechanical drillers, all types regardless of type or method of power; Mechanical pipe layers, all types regardless of type or method of power; Blaster and powder; All work of loading, placing and blasting of all powder and explosives of whatever type regardless of method used for such loading and placing; High scalers (including drilling of same); Tree topper; Bit grinder

GROUP 1-b: Sewer cleaners shall receive \$4.00 per day above Group 1 wage rates. "Sewer cleaner" means any worker who handles or comes in contact with raw sewage in small diameter sewers. Those who work inside recently active, large diameter sewers, and all recently active sewer manholes shall receive \$5.00 per day above Group 1 wage rates.

GROUP 1-c: Burning and welding in connection with laborers' work; Synthetic thermoplastics and similar type welding

GROUP 1-d: Maintenance and repair track and road beds. All employees performing work covered herein shall receive \$.25 per hour above their regular rate for all work performed on underground structures not specifically covered herein. This paragraph shall not be construed to apply to work below ground level in open cut. It shall apply to cut and cover work of subway construction after the temporary cover has been placed.

GROUP 1-e: Work on and/or in bell hole footings and shafts thereof, and work on and in deep footings. (A deep footing is a hole 15 feet or more in depth.) In the event the depth of the footing is unknown at the commencement of excavation, and the final depth exceeds 15 feet, the deep footing wage rate would apply to all employees for each and every day worked on or in the excavation of the footing from the date of inception.

GROUP 1-f: Wire winding machine in connection with guniting

or shot crete

GROUP 2: Asphalt shoveler; Cement dumper and handling dry cement or gypsum; Choke-setter and rigger (clearing work); Concrete bucket dumper and chute; Concrete chipping and grinding; Concrete laborer (wet or dry); Driller tender, chuck tender, nipper; Guinea chaser (stake), grout crew; High pressure nozzle, adductor; Hydraulic monitor (over 100 lbs. pressure); Loading and unloading, carrying and hauling of all rods and materials for use in reinforcing concrete construction; Pittsburgh chipper and similar type brush shredders; Sloper; Single foot, hand-held, pneumatic tamper; All pneumatic, air, gas and electric tools not listed in Groups 1 through 1-f; Jacking of pipe - under 12 inches

GROUP 3: Construction laborers, including bridge and general laborer; Dump, load spotter; Flag person; Fire watcher; Fence erector; Guardrail erector; Gardener, horticultural and landscape laborer; Jetting; Limber, brush loader and piler; Pavement marker (button setter); Maintenance, repair track and road beds; Streetcar and railroad construction track laborer; Temporary air and water lines, Victaulic or similar; Tool room attendant (jobsite only)

GROUP 4: Final clean-up work of debris, grounds and building including but not limited to: street cleaner; cleaning and washing windows; brick cleaner (jobsite only); material cleaner (jobsite only). The classification "material cleaner" is to be utilized under the following conditions:

A: at demolition site for the salvage of the material.

B: at the conclusion of a job where the material is to be salvaged and stocked to be reused on another job.

C: for the cleaning of salvage material at the jobsite or temporary jobsite yard.

The material cleaner classification should not be used in the performance of "form stripping, cleaning and oiling and moving to the next point of erection".

GUNITE LABORER CLASSIFICATIONS

GROUP 1: Structural Nozzleman

GROUP 2: Nozzleman, Gunman, Potman, Groundman

GROUP 3: Reboundman

GROUP 4: Gunitite laborer

WRECKING WORK LABORER CLASSIFICATIONS

GROUP 1: Skilled wrecker (removing and salvaging of sash, windows and materials)

GROUP 2: Semi-skilled wrecker (salvaging of other building materials)

SAN FRANCISCO AND SAN MATEO COUNTIES:

	Rates	Fringes
MASON TENDER, BRICK.....	\$ 37.05	27.45

FOOTNOTES: Underground work such as sewers, manholes, catch basins, sewer pipes, telephone conduits, tunnels and cut trenches: \$5.00 per day additional. Work in live sewage: \$2.50 per day additional.

LAB00261-014 07/01/2023

SAN FRANCISCO AND SAN MATEO COUNTIES:

	Rates	Fringes
PLASTER TENDER.....	\$ 41.93	30.32

Work on a swing stage scaffold: \$1.00 per hour additional.

LAB00270-003 07/01/2023

AREA A: SANTA CLARA

AREA B: MONTEREY, SAN BENITO AND SANTA CRUZ COUNTIES

	Rates	Fringes
LABORER (TRAFFIC CONTROL/LANE CLOSURE)		
Escort Driver, Flag Person		
Area A.....	\$ 37.26	27.30
Area B.....	\$ 36.26	27.30
Traffic Control Person I		
Area A.....	\$ 37.56	27.30
Area B.....	\$ 36.56	27.30
Traffic Control Person II		
Area A.....	\$ 35.06	27.30
Area B.....	\$ 34.06	27.30

TRAFFIC CONTROL PERSON I: Layout of traffic control, crash cushions, construction area and roadside signage.

TRAFFIC CONTROL PERSON II: Installation and removal of temporary/permanent signs, markers, delineators and crash cushions.

LAB00270-004 06/26/2023

MONTEREY, SAN BENITO, SANTA CLARA, AND SANTA CRUZ COUNTIES

	Rates	Fringes
Tunnel and Shaft Laborers:		
GROUP 1.....	\$ 45.89	27.72
GROUP 2.....	\$ 45.66	27.72
GROUP 3.....	\$ 45.41	27.72
GROUP 4.....	\$ 44.96	27.72
GROUP 5.....	\$ 44.42	27.72
Shotcrete Specialist.....	\$ 46.41	27.72

TUNNEL AND SHAFT CLASSIFICATIONS

GROUP 1: Diamond driller; Groundmen; Gunitite and shotcrete nozzlemen

GROUP 2: Rodmen; Shaft work & raise (below actual or excavated ground level)

GROUP 3: Bit grinder; Blaster, driller, powdermen, heading; Cherry pickermen - where car is lifted; Concrete finisher in tunnel; Concrete screedman; Grout pumpman and potman; Gunitite & shotcrete gunman & potman; Headermen; High pressure nozzleman; Miner - tunnel, including top and bottom man on shaft and raise work; Nipper; Nozzleman on slick line; Sandblaster - potman, Robotic Shotcrete Placer, Segment Erector, Tunnel Muck Hauler, Steel Form raiser and setter; Timberman, retimberman (wood or steel or substitute materials therefore); Tugger (for tunnel laborer work); Cable tender; Chuck tender; Powderman - primer house

GROUP 4: Vibrator operator, pavement breaker; Bull gang - muckers, trackmen; Concrete crew - includes rodding and spreading, Dumpmen (any method)

GROUP 5: Grout crew; Reboundman; Swamper/ Brakeman

LAB00270-005 07/01/2023

MONTEREY AND SAN BENITO COUNTIES

	Rates	Fringes
LABORER		
Mason Tender-Brick.....	\$ 36.29	25.55

LAB00270-007 06/26/2023

MONTEREY, SAN BENITO AND SANTA CRUZ COUNTIES

	Rates	Fringes
LABORER (CONSTRUCTION CRAFT LABORERS - AREA B)		
Construction Specialist		
Group.....	\$ 36.20	27.30
GROUP 1.....	\$ 35.50	27.30
GROUP 1-a.....	\$ 35.72	27.30
GROUP 1-c.....	\$ 35.55	27.30
GROUP 1-e.....	\$ 36.05	27.30
GROUP 1-f.....	\$ 36.08	27.30
GROUP 2.....	\$ 35.35	27.30
GROUP 3.....	\$ 35.25	27.30
GROUP 4.....	\$ 28.94	27.30

See groups 1-b and 1-d under laborer classifications.

LABORER (GARDENERS,
HORTICULTURAL & LANDSCAPE

LABORERS - AREA B)		
(1) New Construction.....	\$ 35.25	27.30
(2) Establishment Warranty Period.....	\$ 28.94	27.30

LABORER (GUNITITE - AREA B)

GROUP 1.....	\$ 36.46	27.30
GROUP 2.....	\$ 35.96	27.30
GROUP 3.....	\$ 35.37	27.30

GROUP 4.....	\$ 35.25	27.30
LABORER (WRECKING - AREA B)		
GROUP 1.....	\$ 35.50	27.30
GROUP 2.....	\$ 35.35	27.30

FOOTNOTES:

Laborers working off or with or from bos'n chairs, swinging scaffolds, belts shall receive \$0.25 per hour above the applicable wage rate. This shall not apply to workers entitled to receive the wage rate set forth in Group 1-a below.

LABORER CLASSIFICATIONS

CONSTRUCTION SPECIALIST GROUP: Asphalt ironer and raker; Chainsaw; Laser beam in connection with laborers' work; Cast-in- place manhole form setter; Pressure pipelayer; Davis trencher - 300 or similar type (and all small trenchers); Blaster; Diamond driller; Multiple unit drill; Hydraulic drill

GROUP 1: Asphalt spreader boxes (all types); Barko, Wacker and similar type tampers; Buggymobile; Caulker, bander, pipewrapper, conduit layer, plastic pipelayer; Certified hazardous waste worker including Leade Abatement; Compactors of all types; Concrete and magnesite mixer, 1/2 yd. and under; Concrete pan work; Concrete sander; Concrete saw; Cribber and/or shoring; Cut granite curb setter; Dri-pak-it machine; Faller, logloader and bucket; Form raiser, slip forms; Green cutter; Headerboard, Hubsetter, aligner, by any method; High pressure blow pipe (1-1/2" or over, 100 lbs. pressure/over); Hydro seeder and similar type; Jackhammer operator; Jacking of pipe over 12 inches; Jackson and similar type compactor; Kettle tender, pot and worker applying asphalt, lay-kold, creosote, lime, caustic and similar type materials (applying means applying, dipping or handling of such materials); Lagging, sheeting, whaling, bracing, trenchjacking, lagging hammer; Magnesite, epoxyresin, fiberglass, mastic worker (wet or dry); No joint pipe and stripping of same, including repair of voids; Pavement breaker and spader, including tool grinder; Perma curb; Pipelayer (including grade checking in connection with pipelaying); Precast-manhole setter; Pressure pipe tester; Post hole digger, air, gas and electric; Power broom sweeper; Power tampers of all types (except as shown in Group 2); Ram set gun and stud gun; Riprap stonepaver and rock-slinger, including placing of sacked concrete and/or sand (wet or dry) and gabions and similar type; Rotary scarifier or multiple head concrete chipping scarifier; Roto and Ditch Witch; Rototiller; Sandblaster, pot, gun, nozzle operators; Signalling and rigging; Tank cleaner; Tree climber; Turbo blaster; Vibrascreed, bull float in connection with laborers' work; Vibrator; Hazardous waste worker (lead removal); Asbestos and mold removal worker

GROUP 1-a: Joy drill model TWM-2A; Gardner-Denver model DH143 and similar type drills; Track driller; Jack leg driller; Wagon driller; Mechanical drillers, all types regardless of type or method of power; Mechanical pipe layers, all types regardless of type or method of power; Blaster and powder; All work of loading, placing and blasting of all powder and

explosives of whatever type regardless of method used for such loading and placing; High scalers (including drilling of same); Tree topper; Bit grinder

GROUP 1-b: Sewer cleaners shall receive \$4.00 per day above Group 1 wage rates. "Sewer cleaner" means any worker who handles or comes in contact with raw sewage in small diameter sewers. Those who work inside recently active, large diameter sewers, and all recently active sewer manholes shall receive \$5.00 per day above Group 1 wage rates.

GROUP 1-c: Burning and welding in connection with laborers' work; Synthetic thermoplastics and similar type welding

GROUP 1-d: Maintenance and repair track and road beds. All employees performing work covered herein shall receive \$.25 per hour above their regular rate for all work performed on underground structures not specifically covered herein. This paragraph shall not be construed to apply to work below ground level in open cut. It shall apply to cut and cover work of subway construction after the temporary cover has been placed.

GROUP 1-e: Work on and/or in bell hole footings and shafts thereof, and work on and in deep footings. (A deep footing is a hole 15 feet or more in depth.) In the event the depth of the footing is unknown at the commencement of excavation, and the final depth exceeds 15 feet, the deep footing wage rate would apply to all employees for each and every day worked on or in the excavation of the footing from the date of inception.

GROUP 1-f: Wire winding machine in connection with guniting or shot crete

GROUP 2: Asphalt shoveler; Cement dumper and handling dry cement or gypsum; Choke-setter and rigger (clearing work); Concrete bucket dumper and chute; Concrete chipping and grinding; Concrete laborer (wet or dry); Driller tender, chuck tender, nipper; Guinea chaser (stake), grout crew; High pressure nozzle, adductor; Hydraulic monitor (over 100 lbs. pressure); Loading and unloading, carrying and hauling of all rods and materials for use in reinforcing concrete construction; Pittsburgh chipper and similar type brush shredders; Sloper; Single foot, hand-held, pneumatic tamper; All pneumatic, air, gas and electric tools not listed in Groups 1 through 1-f; Jacking of pipe - under 12 inches

GROUP 3: Construction laborers, including bridge and general laborer; Dump, load spotter; Flag person; Fire watcher; Fence erector; Guardrail erector; Gardener, horticultural and landscape laborer; Jetting; Limber, brush loader and piler; Pavement marker (button setter); Maintenance, repair track and road beds; Streetcar and railroad construction track laborer; Temporary air and water lines, Victaulic or similar; Tool room attendant (jobsite only)

GROUP 4: Final clean-up work of debris, grounds and building including but not limited to: street cleaner; cleaning and washing windows; brick cleaner (jobsite only); material cleaner (jobsite only). The classification "material cleaner" is to be utilized under the following conditions:

A: at demolition site for the salvage of the material.

B: at the conclusion of a job where the material is to be salvaged and stocked to be reused on another job.

C: for the cleaning of salvage material at the jobsite or temporary jobsite yard.

The material cleaner classification should not be used in the performance of ""form stripping, cleaning and oiling and moving to the next point of erection"".

GUNITE LABORER CLASSIFICATIONS

GROUP 1: Structural Nozzleman

GROUP 2: Nozzleman, Gunman, Potman, Groundman

GROUP 3: Reboundman

GROUP 4: Gunitite laborer

WRECKING WORK LABORER CLASSIFICATIONS

GROUP 1: Skilled wrecker (removing and salvaging of sash, windows and materials)

GROUP 2: Semi-skilled wrecker (salvaging of other building materials)

LAB00270-010 06/26/2023

SANTA CLARA COUNTY

	Rates	Fringes
LABORER (CONSTRUCTION CRAFT LABORERS - AREA A:)		
Construction Specialist		
Group.....	\$ 37.20	27.30
GROUP 1.....	\$ 36.50	27.30
GROUP 1-a.....	\$ 36.72	27.30
GROUP 1-c.....	\$ 36.55	27.30
GROUP 1-e.....	\$ 37.05	27.30
GROUP 1-f.....	\$ 37.08	27.30
GROUP 2.....	\$ 36.35	27.30
GROUP 3.....	\$ 36.25	27.30
GROUP 4.....	\$ 29.94	27.30
See groups 1-b and 1-d under laborer classifications.		
LABORER (GARDENERS, HORTICULTURAL & LANDSCAPE LABORERS - AREA A:)		
(1) New Construction.....	\$ 36.25	27.30
(2) Establishment Warranty Period.....	\$ 29.94	27.30
LABORER (GUNITE - AREA A:)		
GROUP 1.....	\$ 37.46	27.30
GROUP 2.....	\$ 36.96	27.30
GROUP 3.....	\$ 36.37	27.30
GROUP 4.....	\$ 36.25	27.30
LABORER (WRECKING - AREA A:)		
GROUP 1.....	\$ 36.50	27.30
GROUP 2.....	\$ 36.35	27.30

FOOTNOTES:

Laborers working off or with or from bos'n chairs, swinging scaffolds, belts shall receive \$0.25 per hour above the applicable wage rate. This shall not apply to workers entitled to receive the wage rate set forth in Group 1-a below.

LABORER CLASSIFICATIONS

CONSTRUCTION SPECIALIST GROUP: Asphalt ironer and raker; Chainsaw; Laser beam in connection with laborers' work; Cast-in- place manhole form setter; Pressure pipelayer; Davis trencher - 300 or similar type (and all small trenchers); Blaster; Diamond driller; Multiple unit drill; Hydraulic drill

GROUP 1: Asphalt spreader boxes (all types); Barko, Wacker and similar type tampers; Buggymobile; Caulker, bander, pipewrapper, conduit layer, plastic pipelayer; Certified hazardous waste worker including Leade Abatement; Compactors of all types; Concrete and magnesite mixer, 1/2 yd. and under; Concrete pan work; Concrete sander; Concrete saw; Cribber and/or shoring; Cut granite curb setter; Dri-pak-it machine; Faller, logloader and bucket; Form raiser, slip forms; Green cutter; Headerboard, Hubsetter, aligner, by any method; High pressure blow pipe (1-1/2" or over, 100 lbs. pressure/over); Hydro seeder and similar type; Jackhammer operator; Jacking of pipe over 12 inches; Jackson and similar type compactor; Kettle tender, pot and worker applying asphalt, lay-kold, creosote, lime, caustic and similar type materials (applying means applying, dipping or handling of such materials); Lagging, sheeting, whaling, bracing, trenchjacking, lagging hammer; Magnesite, epoxyresin, fiberglass, mastic worker (wet or dry); No joint pipe and stripping of same, including repair of voids; Pavement breaker and spader, including tool grinder; Perma curb; Pipelayer (including grade checking in connection with pipelaying); Precast-manhole setter; Pressure pipe tester; Post hole digger, air, gas and electric; Power broom sweeper; Power tampers of all types (except as shown in Group 2); Ram set gun and stud gun; Riprap stonepaver and rock-slinger, including placing of sacked concrete and/or sand (wet or dry) and gabions and similar type; Rotary scarifier or multiple head concrete chipping scarifier; Roto and Ditch Witch; Rototiller; Sandblaster, pot, gun, nozzle operators; Signalling and rigging; Tank cleaner; Tree climber; Turbo blaster; Vibrascreed, bull float in connection with laborers' work; Vibrator; Hazardous waste worker (lead removal); Asbestos and mold removal worker

GROUP 1-a: Joy drill model TWM-2A; Gardner-Denver model DH143 and similar type drills; Track driller; Jack leg driller; Wagon driller; Mechanical drillers, all types regardless of type or method of power; Mechanical pipe layers, all types regardless of type or method of power; Blaster and powder; All work of loading, placing and blasting of all powder and explosives of whatever type regardless of method used for such loading and placing; High scalers (including drilling of same); Tree topper; Bit grinder

GROUP 1-b: Sewer cleaners shall receive \$4.00 per day above Group 1 wage rates. "Sewer cleaner" means any worker who handles or comes in contact with raw sewage in small diameter sewers. Those who work inside recently active, large diameter sewers, and all recently active sewer manholes shall receive \$5.00 per day above Group 1 wage rates.

GROUP 1-c: Burning and welding in connection with laborers' work; Synthetic thermoplastics and similar type welding

GROUP 1-d: Maintenance and repair track and road beds. All employees performing work covered herein shall receive \$.25 per hour above their regular rate for all work performed on underground structures not specifically covered herein. This paragraph shall not be construed to apply to work below ground level in open cut. It shall apply to cut and cover work of subway construction after the temporary cover has been placed.

GROUP 1-e: Work on and/or in bell hole footings and shafts thereof, and work on and in deep footings. (A deep footing is a hole 15 feet or more in depth.) In the event the depth of the footing is unknown at the commencement of excavation, and the final depth exceeds 15 feet, the deep footing wage rate would apply to all employees for each and every day worked on or in the excavation of the footing from the date of inception.

GROUP 1-f: Wire winding machine in connection with guniting or shot crete

GROUP 2: Asphalt shoveler; Cement dumper and handling dry cement or gypsum; Choke-setter and rigger (clearing work); Concrete bucket dumper and chute; Concrete chipping and grinding; Concrete laborer (wet or dry); Driller tender, chuck tender, nipper; Guinea chaser (stake), grout crew; High pressure nozzle, adductor; Hydraulic monitor (over 100 lbs. pressure); Loading and unloading, carrying and hauling of all rods and materials for use in reinforcing concrete construction; Pittsburgh chipper and similar type brush shredders; Sloper; Single foot, hand-held, pneumatic tamper; All pneumatic, air, gas and electric tools not listed in Groups 1 through 1-f; Jacking of pipe - under 12 inches

GROUP 3: Construction laborers, including bridge and general laborer; Dump, load spotter; Flag person; Fire watcher; Fence erector; Guardrail erector; Gardener, horticultural and landscape laborer; Jetting; Limber, brush loader and piler; Pavement marker (button setter); Maintenance, repair track and road beds; Streetcar and railroad construction track laborer; Temporary air and water lines, Victaulic or similar; Tool room attendant (jobsite only)

GROUP 4: Final clean-up work of debris, grounds and building including but not limited to: street cleaner; cleaning and washing windows; brick cleaner (jobsite only); material cleaner (jobsite only). The classification "material cleaner" is to be utilized under the following conditions:

- A: at demolition site for the salvage of the material.
- B: at the conclusion of a job where the material is to be salvaged and stocked to be reused on another job.
- C: for the cleaning of salvage material at the jobsite or temporary jobsite yard.

The material cleaner classification should not be used in the performance of "form stripping, cleaning and oiling and moving to the next point of erection".

GUNITE LABORER CLASSIFICATIONS

GROUP 1: Structural Nozzleman

GROUP 2: Nozzleman, Gunman, Potman, Groundman

GROUP 3: Reboundman

GROUP 4: Guniting laborer

WRECKING WORK LABORER CLASSIFICATIONS

GROUP 1: Skilled wrecker (removing and salvaging of sash, windows and materials)

GROUP 2: Semi-skilled wrecker (salvaging of other building materials)

LAB00270-011 07/01/2023

MONTEREY, SAN BENITO, SANTA CRUZ, SANTA CLARA COUNTIES

	Rates	Fringes
LABORER (Plaster Tender).....	\$ 40.68	29.68

Work on a swing stage scaffold: \$1.00 per hour additional.

LAB00294-001 07/01/2023

FRESNO, KINGS AND MADERA COUNTIES

	Rates	Fringes
LABORER (Brick)		
Mason Tender-Brick.....	\$ 36.29	25.55

LAB00294-002 07/01/2023

FRESNO, KINGS, AND MADERA COUNTIES

	Rates	Fringes
LABORER (TRAFFIC CONTROL/LANE CLOSURE)		
Escort Driver, Flag Person..	\$ 36.26	27.30
Traffic Control Person I....	\$ 36.56	27.30
Traffic Control Person II...	\$ 34.06	27.30

TRAFFIC CONTROL PERSON I: Layout of traffic control, crash cushions, construction area and roadside signage.

TRAFFIC CONTROL PERSON II: Installation and removal of temporary/permanent signs, markers, delineators and crash cushions.

LAB00294-005 06/26/2023

FRESNO, KINGS, AND MADERA COUNTIES

	Rates	Fringes
Tunnel and Shaft Laborers:		
GROUP 1.....	\$ 45.89	27.72
GROUP 2.....	\$ 45.66	27.72
GROUP 3.....	\$ 45.41	27.72
GROUP 4.....	\$ 44.96	27.72
GROUP 5.....	\$ 44.42	27.72
Shotcrete Specialist.....	\$ 46.41	27.72

TUNNEL AND SHAFT CLASSIFICATIONS

GROUP 1: Diamond driller; Groundmen; Guniting and shotcrete nozzle men

GROUP 2: Rodmen; Shaft work & raise (below actual or excavated ground level)

GROUP 3: Bit grinder; Blaster, driller, powdermen, heading; Cherry pickers - where car is lifted; Concrete finisher in tunnel; Concrete screedman; Grout pumpman and potman; Guniting & shotcrete gunner & potman; Headermen; High pressure nozzle man; Miner - tunnel, including top and bottom man on shaft and raise work; Nipper; Nozzle man on slick line; Sandblaster - potman, Robotic Shotcrete Placer, Segment Erector, Tunnel Muck Hauler, Steel Form raiser and setter; Timberman, retimberman (wood or steel or substitute materials therefore); Tugger (for tunnel laborer work); Cable tender; Chuck tender; Powderman - primer house

GROUP 4: Vibrator operator, pavement breaker; Bull gang - muckers, trackmen; Concrete crew - includes rodding and spreading, Dumpmen (any method)

GROUP 5: Grout crew; Reboundman; Swamper/ Brakeman

LAB00294-008 06/26/2023

FRESNO, KINGS, AND MADERA COUNTIES

	Rates	Fringes
LABORER (CONSTRUCTION CRAFT LABORERS - AREA B:)		
Construction Specialist		
Group.....	\$ 36.20	27.30
GROUP 1.....	\$ 35.50	27.30
GROUP 1-a.....	\$ 35.72	27.30
GROUP 1-c.....	\$ 35.55	27.30
GROUP 1-e.....	\$ 36.05	27.30
GROUP 1-f.....	\$ 36.08	27.30
GROUP 2.....	\$ 35.35	27.30
GROUP 3.....	\$ 35.25	27.30
GROUP 4.....	\$ 28.94	27.30

See groups 1-b and 1-d under laborer classifications.

LABORER (GARDENERS,
HORTICULTURAL & LANDSCAPE
LABORERS - AREA B:)

(1) New Construction.....	\$ 35.25	27.30
(2) Establishment Warranty Period.....	\$ 28.94	27.30
LABORER (GUNITE - AREA B:)		
GROUP 1.....	\$ 36.46	27.30
GROUP 2.....	\$ 35.96	27.30
GROUP 3.....	\$ 35.37	27.30
GROUP 4.....	\$ 35.25	27.30
LABORER (WRECKING - AREA B:)		
GROUP 1.....	\$ 35.50	27.30
GROUP 2.....	\$ 35.35	27.30

FOOTNOTES:

Laborers working off or with or from bos'n chairs, swinging scaffolds, belts shall receive \$0.25 per hour above the applicable wage rate. This shall not apply to workers entitled to receive the wage rate set forth in Group 1-a below.

LABORER CLASSIFICATIONS

CONSTRUCTION SPECIALIST GROUP: Asphalt ironer and raker; Chainsaw; Laser beam in connection with laborers' work; Cast-in- place manhole form setter; Pressure pipelayer; Davis trencher - 300 or similar type (and all small trenchers); Blaster; Diamond driller; Multiple unit drill; Hydraulic drill

GROUP 1: Asphalt spreader boxes (all types); Barko, Wacker and similar type tampers; Buggymobile; Caulker, bander, pipewrapper, conduit layer, plastic pipelayer; Certified hazardous waste worker including Leade Abatement; Compactors of all types; Concrete and magnesite mixer, 1/2 yd. and under; Concrete pan work; Concrete sander; Concrete saw; Cribber and/or shoring; Cut granite curb setter; Dri-pak-it machine; Faller, logloader and bucket; Form raiser, slip forms; Green cutter; Headerboard, Hubsetter, aligner, by any method; High pressure blow pipe (1-1/2" or over, 100 lbs. pressure/over); Hydro seeder and similar type; Jackhammer operator; Jacking of pipe over 12 inches; Jackson and similar type compactor; Kettle tender, pot and worker applying asphalt, lay-kold, creosote, lime, caustic and similar type materials (applying means applying, dipping or handling of such materials); Lagging, sheeting, whaling, bracing, trenchjacking, lagging hammer; Magnesite, epoxyresin, fiberglass, mastic worker (wet or dry); No joint pipe and stripping of same, including repair of voids; Pavement breaker and spader, including tool grinder; Perma curb; Pipelayer (including grade checking in connection with pipelaying); Precast-manhole setter; Pressure pipe tester; Post hole digger, air, gas and electric; Power broom sweeper; Power tampers of all types (except as shown in Group 2); Ram set gun and stud gun; Riprap stonepaver and rock-slinger, including placing of sacked concrete and/or sand (wet or dry) and gabions and similar type; Rotary scarifier or multiple head concrete chipping scarifier; Roto and Ditch Witch; Rototiller; Sandblaster, pot, gun, nozzle operators; Signalling and rigging; Tank cleaner; Tree climber; Turbo blaster; Vibrascreed, bull float in connection with laborers' work; Vibrator; Hazardous waste worker (lead removal); Asbestos and mold removal worker

GROUP 1-a: Joy drill model TWM-2A; Gardner-Denver model DH143 and similar type drills; Track driller; Jack leg driller; Wagon driller; Mechanical drillers, all types regardless of type or method of power; Mechanical pipe layers, all types regardless of type or method of power; Blaster and powder; All work of loading, placing and blasting of all powder and explosives of whatever type regardless of method used for such loading and placing; High scalers (including drilling of same); Tree topper; Bit grinder

GROUP 1-b: Sewer cleaners shall receive \$4.00 per day above Group 1 wage rates. "Sewer cleaner" means any worker who handles or comes in contact with raw sewage in small diameter sewers. Those who work inside recently active, large diameter sewers, and all recently active sewer manholes shall receive \$5.00 per day above Group 1 wage rates.

GROUP 1-c: Burning and welding in connection with laborers' work; Synthetic thermoplastics and similar type welding

GROUP 1-d: Maintenance and repair track and road beds. All employees performing work covered herein shall receive \$.25 per hour above their regular rate for all work performed on underground structures not specifically covered herein. This paragraph shall not be construed to apply to work below ground level in open cut. It shall apply to cut and cover work of subway construction after the temporary cover has been placed.

GROUP 1-e: Work on and/or in bell hole footings and shafts thereof, and work on and in deep footings. (A deep footing is a hole 15 feet or more in depth.) In the event the depth of the footing is unknown at the commencement of excavation, and the final depth exceeds 15 feet, the deep footing wage rate would apply to all employees for each and every day worked on or in the excavation of the footing from the date of inception.

GROUP 1-f: Wire winding machine in connection with guniting or shot crete

GROUP 2: Asphalt shoveler; Cement dumper and handling dry cement or gypsum; Choke-setter and rigger (clearing work); Concrete bucket dumper and chute; Concrete chipping and grinding; Concrete laborer (wet or dry); Driller tender, chuck tender, nipper; Guinea chaser (stake), grout crew; High pressure nozzle, adductor; Hydraulic monitor (over 100 lbs. pressure); Loading and unloading, carrying and hauling of all rods and materials for use in reinforcing concrete construction; Pittsburgh chipper and similar type brush shredders; Sloper; Single foot, hand-held, pneumatic tamper; All pneumatic, air, gas and electric tools not listed in Groups 1 through 1-f; Jacking of pipe - under 12 inches

GROUP 3: Construction laborers, including bridge and general laborer; Dump, load spotter; Flag person; Fire watcher; Fence erector; Guardrail erector; Gardener, horticultural and landscape laborer; Jetting; Limber, brush loader and piler; Pavement marker (button setter); Maintenance, repair track and road beds; Streetcar and railroad construction track laborer; Temporary air and water lines, Victaulic or similar; Tool room attendant (jobsite only)

GROUP 4: Final clean-up work of debris, grounds and building including but not limited to: street cleaner; cleaning and washing windows; brick cleaner (jobsite only); material cleaner (jobsite only). The classification "material cleaner" is to be utilized under the following conditions:

A: at demolition site for the salvage of the material.

B: at the conclusion of a job where the material is to be salvaged and stocked to be reused on another job.

C: for the cleaning of salvage material at the jobsite or temporary jobsite yard.

The material cleaner classification should not be used in the performance of "form stripping, cleaning and oiling and moving to the next point of erection".

GUNITE LABORER CLASSIFICATIONS

GROUP 1: Structural Nozzleman

GROUP 2: Nozzleman, Gunman, Potman, Groundman

GROUP 3: Reboundman

GROUP 4: Gunit laborer

WRECKING WORK LABORER CLASSIFICATIONS

GROUP 1: Skilled wrecker (removing and salvaging of sash, windows and materials)

GROUP 2: Semi-skilled wrecker (salvaging of other building materials)

LAB00294-010 07/01/2023

CALAVERAS, FRESNO, KINGS, MADERA, MARIPOSA, MERCED, SAN JOAQUIN, STANISLAUS & TUOLUMNE

	Rates	Fringes
Plasterer tender.....	\$ 39.77	28.54

Work on a swing stage scaffold: \$1.00 per hour additional.

LAB00294-011 07/01/2023

FRESNO, KINGS, AND MADERA COUNTIES

	Rates	Fringes
LABORER (Plaster Tender).....	\$ 39.77	28.54

Work on a swing stage scaffold: \$1.00 per hour additional.

LAB00304-002 07/01/2023

ALAMEDA COUNTY

Rates Fringes

LABORER (TRAFFIC CONTROL/LANE CLOSURE)

Escort Driver, Flag Person..	\$ 37.26	27.30
Traffic Control Person I....	\$ 37.56	27.30
Traffic Control Person II...	\$ 35.06	27.30

TRAFFIC CONTROL PERSON I: Layout of traffic control, crash cushions, construction area and roadside signage.

TRAFFIC CONTROL PERSON II: Installation and removal of temporary/permanent signs, markers, delineators and crash cushions.

LAB00304-003 06/26/2023

ALAMEDA COUNTY

Rates Fringes

Tunnel and Shaft Laborers:

GROUP 1.....	\$ 45.89	27.72
GROUP 2.....	\$ 45.66	27.72
GROUP 3.....	\$ 45.41	27.72
GROUP 4.....	\$ 44.96	27.72
GROUP 5.....	\$ 44.42	27.72
Shotcrete Specialist.....	\$ 46.41	27.72

TUNNEL AND SHAFT CLASSIFICATIONS

GROUP 1: Diamond driller; Groundmen; Gunite and shotcrete nozzlemen

GROUP 2: Rodmen; Shaft work & raise (below actual or excavated ground level)

GROUP 3: Bit grinder; Blaster, driller, powdermen, heading; Cherry pickermen - where car is lifted; Concrete finisher in tunnel; Concrete screedman; Grout pumpman and potman; Gunite & shotcrete gunman & potman; Headermen; High pressure nozzleman; Miner - tunnel, including top and bottom man on shaft and raise work; Nipper; Nozzleman on slick line; Sandblaster - potman, Robotic Shotcrete Placer, Segment Erector, Tunnel Muck Hauler, Steel Form raiser and setter; Timberman, retimberman (wood or steel or substitute materials therefore); Tugger (for tunnel laborer work); Cable tender; Chuck tender; Powderman - primer house

GROUP 4: Vibrator operator, pavement breaker; Bull gang - muckers, trackmen; Concrete crew - includes rodding and spreading, Dumpmen (any method)

GROUP 5: Grout crew; Reboundman; Swamper/ Brakeman

LAB00304-004 06/26/2023

ALAMEDA COUNTY

Rates Fringes

LABORER (CONSTRUCTION CRAFT LABORERS - AREA A:)

Construction Specialist		
Group.....	\$ 37.20	27.30
GROUP 1.....	\$ 36.50	27.30
GROUP 1-a.....	\$ 36.72	27.30
GROUP 1-c.....	\$ 36.55	27.30
GROUP 1-e.....	\$ 37.05	27.30
GROUP 1-f.....	\$ 37.08	27.30
GROUP 2.....	\$ 36.35	27.30
GROUP 3.....	\$ 36.25	27.30
GROUP 4.....	\$ 29.94	27.30

See groups 1-b and 1-d under laborer classifications.

LABORER (GARDENERS,
HORTICULTURAL & LANDSCAPE

LABORERS - AREA A:)

(1) New Construction.....	\$ 36.25	27.30
(2) Establishment Warranty Period.....	\$ 29.94	27.30

LABORER (GUNITE - AREA A:)

GROUP 1.....	\$ 37.46	27.30
GROUP 2.....	\$ 36.96	27.30
GROUP 3.....	\$ 36.37	27.30
GROUP 4.....	\$ 36.25	27.30

LABORER (WRECKING - AREA A:)

GROUP 1.....	\$ 36.50	27.30
GROUP 2.....	\$ 36.35	27.30

FOOTNOTES:

Laborers working off or with or from bos'n chairs, swinging scaffolds, belts shall receive \$0.25 per hour above the applicable wage rate. This shall not apply to workers entitled to receive the wage rate set forth in Group 1-a below.

LABORER CLASSIFICATIONS

CONSTRUCTION SPECIALIST GROUP: Asphalt ironer and raker; Chainsaw; Laser beam in connection with laborers' work; Cast-in- place manhole form setter; Pressure pipelayer; Davis trencher - 300 or similar type (and all small trenchers); Blaster; Diamond driller; Multiple unit drill; Hydraulic drill

GROUP 1: Asphalt spreader boxes (all types); Barko, Wacker and similar type tampers; Buggymobile; Caulker, bander, pipewrapper, conduit layer, plastic pipelayer; Certified hazardous waste worker including Leade Abatement; Compactors of all types; Concrete and magnesite mixer, 1/2 yd. and under; Concrete pan work; Concrete sander; Concrete saw; Cribber and/or shoring; Cut granite curb setter; Dri-pak-it machine; Faller, logloader and bucket; Form raiser, slip forms; Green cutter; Headerboard, Hubsetter, aligner, by any method; High pressure blow pipe (1-1/2" or over, 100 lbs. pressure/over); Hydro seeder and similar type; Jackhammer operator; Jacking of pipe over 12 inches; Jackson and similar type compactor; Kettle tender, pot and worker applying asphalt, lay-kold, creosote, lime, caustic and similar type materials (applying means applying, dipping or handling of such materials); Lagging, sheeting, whaling, bracing, trenchjacking, lagging hammer; Magnesite, epoxyresin, fiberglass, mastic worker (wet or dry); No joint pipe and stripping of same, including repair of voids; Pavement breaker and spader, including tool grinder;

Perma curb; Pipelayer (including grade checking in connection with pipelaying); Precast-manhole setter; Pressure pipe tester; Post hole digger, air, gas and electric; Power broom sweeper; Power tampers of all types (except as shown in Group 2); Ram set gun and stud gun; Riprap stonepaver and rock-slinger, including placing of sacked concrete and/or sand (wet or dry) and gabions and similar type; Rotary scarifier or multiple head concrete chipping scarifier; Roto and Ditch Witch; Rototiller; Sandblaster, pot, gun, nozzle operators; Signalling and rigging; Tank cleaner; Tree climber; Turbo blaster; Vibrascreed, bull float in connection with laborers' work; Vibrator; Hazardous waste worker (lead removal); Asbestos and mold removal worker

GROUP 1-a: Joy drill model TWM-2A; Gardner-Denver model DH143 and similar type drills; Track driller; Jack leg driller; Wagon driller; Mechanical drillers, all types regardless of type or method of power; Mechanical pipe layers, all types regardless of type or method of power; Blaster and powder; All work of loading, placing and blasting of all powder and explosives of whatever type regardless of method used for such loading and placing; High scalers (including drilling of same); Tree topper; Bit grinder

GROUP 1-b: Sewer cleaners shall receive \$4.00 per day above Group 1 wage rates. "Sewer cleaner" means any worker who handles or comes in contact with raw sewage in small diameter sewers. Those who work inside recently active, large diameter sewers, and all recently active sewer manholes shall receive \$5.00 per day above Group 1 wage rates.

GROUP 1-c: Burning and welding in connection with laborers' work; Synthetic thermoplastics and similar type welding

GROUP 1-d: Maintenance and repair track and road beds. All employees performing work covered herein shall receive \$.25 per hour above their regular rate for all work performed on underground structures not specifically covered herein. This paragraph shall not be construed to apply to work below ground level in open cut. It shall apply to cut and cover work of subway construction after the temporary cover has been placed.

GROUP 1-e: Work on and/or in bell hole footings and shafts thereof, and work on and in deep footings. (A deep footing is a hole 15 feet or more in depth.) In the event the depth of the footing is unknown at the commencement of excavation, and the final depth exceeds 15 feet, the deep footing wage rate would apply to all employees for each and every day worked on or in the excavation of the footing from the date of inception.

GROUP 1-f: Wire winding machine in connection with guniting or shot crete

GROUP 2: Asphalt shoveler; Cement dumper and handling dry cement or gypsum; Choke-setter and rigger (clearing work); Concrete bucket dumper and chute; Concrete chipping and grinding; Concrete laborer (wet or dry); Driller tender, chuck tender, nipper; Guinea chaser (stake), grout crew; High pressure nozzle, adductor; Hydraulic monitor (over 100 lbs. pressure); Loading and unloading, carrying and hauling of all rods and materials for use in reinforcing concrete

construction; Pittsburgh chipper and similar type brush shredders; Sloper; Single foot, hand-held, pneumatic tamper; All pneumatic, air, gas and electric tools not listed in Groups 1 through 1-f; Jacking of pipe - under 12 inches

GROUP 3: Construction laborers, including bridge and general laborer; Dump, load spotter; Flag person; Fire watcher; Fence erector; Guardrail erector; Gardener, horticultural and landscape laborer; Jetting; Limber, brush loader and piler; Pavement marker (button setter); Maintenance, repair track and road beds; Streetcar and railroad construction track laborer; Temporary air and water lines, Victaulic or similar; Tool room attendant (jobsite only)

GROUP 4: Final clean-up work of debris, grounds and building including but not limited to: street cleaner; cleaning and washing windows; brick cleaner (jobsite only); material cleaner (jobsite only). The classification "material cleaner" is to be utilized under the following conditions:

- A: at demolition site for the salvage of the material.
- B: at the conclusion of a job where the material is to be salvaged and stocked to be reused on another job.
- C: for the cleaning of salvage material at the jobsite or temporary jobsite yard.

The material cleaner classification should not be used in the performance of "form stripping, cleaning and oiling and moving to the next point of erection".

GUNITE LABORER CLASSIFICATIONS

GROUP 1: Structural Nozzleman

GROUP 2: Nozzleman, Gunman, Potman, Groundman

GROUP 3: Reboundman

GROUP 4: Guniting laborer

WRECKING WORK LABORER CLASSIFICATIONS

GROUP 1: Skilled wrecker (removing and salvaging of sash, windows and materials)

GROUP 2: Semi-skilled wrecker (salvaging of other building materials)

LAB00304-005 07/01/2023

ALAMEDA COUNTY

	Rates	Fringes
Brick Tender.....	\$ 37.05	27.45

FOOTNOTES: Work on jobs where heat-protective clothing is required: \$2.00 per hour additional. Work at grinders: \$.25 per hour additional. Manhole work: \$2.00 per day additional.

LAB00304-008 07/01/2023

ALAMEDA AND CONTRA COSTA COUNTIES:

	Rates	Fringes
Plasterer tender.....	\$ 41.93	30.32

Work on a swing stage scaffold: \$1.00 per hour additional.

LAB00324-002 07/01/2023

CONTRA COSTA COUNTY

	Rates	Fringes
LABORER (TRAFFIC CONTROL/LANE CLOSURE)		
Escort Driver, Flag Person..	\$ 37.26	27.30
Traffic Control Person I....	\$ 37.56	27.30
Traffic Control Person II...	\$ 35.06	27.30

TRAFFIC CONTROL PERSON I: Layout of traffic control, crash cushions, construction area and roadside signage.

TRAFFIC CONTROL PERSON II: Installation and removal of temporary/permanent signs, markers, delineators and crash cushions.

LAB00324-006 06/26/2023

CONTRA COSTA COUNTY

	Rates	Fringes
Tunnel and Shaft Laborers:		
GROUP 1.....	\$ 45.89	27.72
GROUP 2.....	\$ 45.66	27.72
GROUP 3.....	\$ 45.41	27.72
GROUP 4.....	\$ 44.96	27.72
GROUP 5.....	\$ 44.42	27.72
Shotcrete Specialist.....	\$ 46.41	27.72

TUNNEL AND SHAFT CLASSIFICATIONS

GROUP 1: Diamond driller; Groundmen; Gunite and shotcrete nozzlemen

GROUP 2: Rodmen; Shaft work & raise (below actual or excavated ground level)

GROUP 3: Bit grinder; Blaster, driller, powdermen, heading; Cherry pickermen - where car is lifted; Concrete finisher in tunnel; Concrete screedman; Grout pumpman and potman; Gunite & shotcrete gunman & potman; Headermen; High pressure nozzleman; Miner - tunnel, including top and bottom man on shaft and raise work; Nipper; Nozzleman on slick line; Sandblaster - potman, Robotic Shotcrete Placer, Segment Erector, Tunnel Muck Hauler, Steel Form raiser and setter; Timberman, retimberman (wood or steel or substitute materials therefore); Tugger (for tunnel laborer work); Cable tender; Chuck tender; Powderman - primer house

GROUP 4: Vibrator operator, pavement breaker; Bull gang - muckers, trackmen; Concrete crew - includes rodding and spreading, Dumpmen (any method)

GROUP 5: Grout crew; Reboundman; Swamper/ Brakeman

LAB00324-012 06/26/2023

CONTRA COSTA COUNTY

	Rates	Fringes
LABORER (CONSTRUCTION CRAFT LABORERS - AREA A:)		
Construction Specialist		
Group.....	\$ 37.20	27.30
GROUP 1.....	\$ 36.50	27.30
GROUP 1-a.....	\$ 36.72	27.30
GROUP 1-c.....	\$ 36.55	27.30
GROUP 1-e.....	\$ 37.05	27.30
GROUP 1-f.....	\$ 37.08	27.30
GROUP 1-g.....	\$ 36.70	27.30
GROUP 2.....	\$ 36.35	27.30
GROUP 3.....	\$ 36.25	27.30
GROUP 4.....	\$ 29.94	27.30
See groups 1-b and 1-d under laborer classifications.		
LABORER (GARDENERS, HORTICULURAL & LANDSCAPE LABORERS - AREA A:)		
(1) New Construction.....	\$ 36.25	27.30
(2) Establishment Warranty Period.....	\$ 29.94	27.30
LABORER (GUNITE - AREA A:)		
GROUP 1.....	\$ 37.46	27.30
GROUP 2.....	\$ 36.96	27.30
GROUP 3.....	\$ 36.37	27.30
GROUP 4.....	\$ 36.25	27.30
LABORER (WRECKING - AREA A:)		
GROUP 1.....	\$ 36.50	27.30
GROUP 2.....	\$ 36.35	27.30

FOOTNOTES:

Laborers working off or with or from bos'n chairs, swinging scaffolds, belts shall receive \$0.25 per hour above the applicable wage rate. This shall not apply to workers entitled to receive the wage rate set forth in Group 1-a below.

LABORER CLASSIFICATIONS

CONSTRUCTION SPECIALIST GROUP: Asphalt ironer and raker; Chainsaw; Laser beam in connection with laborers' work; Cast-in- place manhole form setter; Pressure pipelayer; Davis trencher - 300 or similar type (and all small trenchers); Blaster; Diamond driller; Multiple unit drill; Hydraulic drill

GROUP 1: Asphalt spreader boxes (all types); Barko, Wacker and similar type tampers; Buggymobile; Caulker, bander, pipewrapper, conduit layer, plastic pipelayer; Certified hazardous waste worker including Leade Abatement;

Compactors of all types; Concrete and magnesite mixer, 1/2 yd. and under; Concrete pan work; Concrete sander; Concrete saw; Cribber and/or shoring; Cut granite curb setter; Dri-pak-it machine; Faller, logloader and buckler; Form raiser, slip forms; Green cutter; Headerboard, Hubsetter, aligner, by any method; High pressure blow pipe (1-1/2" or over, 100 lbs. pressure/over); Hydro seeder and similar type; Jackhammer operator; Jacking of pipe over 12 inches; Jackson and similar type compactor; Kettle tender, pot and worker applying asphalt, lay-kold, creosote, lime, caustic and similar type materials (applying means applying, dipping or handling of such materials); Lagging, sheeting, whaling, bracing, trenchjacking, lagging hammer; Magnesite, epoxyresin, fiberglass, mastic worker (wet or dry); No joint pipe and stripping of same, including repair of voids; Pavement breaker and spader, including tool grinder; Perma curb; Pipelayer (including grade checking in connection with pipelaying); Precast-manhole setter; Pressure pipe tester; Post hole digger, air, gas and electric; Power broom sweeper; Power tampers of all types (except as shown in Group 2); Ram set gun and stud gun; Riprap stonepaver and rock-slinger, including placing of sacked concrete and/or sand (wet or dry) and gabions and similar type; Rotary scarifier or multiple head concrete chipping scarifier; Roto and Ditch Witch; Rototiller; Sandblaster, pot, gun, nozzle operators; Signalling and rigging; Tank cleaner; Tree climber; Turbo blaster; Vibrascreed, bull float in connection with laborers' work; Vibrator; Hazardous waste worker (lead removal); Asbestos and mold removal worker

GROUP 1-a: Joy drill model TWM-2A; Gardner-Denver model DH143 and similar type drills; Track driller; Jack leg driller; Wagon driller; Mechanical drillers, all types regardless of type or method of power; Mechanical pipe layers, all types regardless of type or method of power; Blaster and powder; All work of loading, placing and blasting of all powder and explosives of whatever type regardless of method used for such loading and placing; High scalers (including drilling of same); Tree topper; Bit grinder

GROUP 1-b: Sewer cleaners shall receive \$4.00 per day above Group 1 wage rates. "Sewer cleaner" means any worker who handles or comes in contact with raw sewage in small diameter sewers. Those who work inside recently active, large diameter sewers, and all recently active sewer manholes shall receive \$5.00 per day above Group 1 wage rates.

GROUP 1-c: Burning and welding in connection with laborers' work; Synthetic thermoplastics and similar type welding

GROUP 1-d: Maintenance and repair track and road beds. All employees performing work covered herein shall receive \$.25 per hour above their regular rate for all work performed on underground structures not specifically covered herein. This paragraph shall not be construed to apply to work below ground level in open cut. It shall apply to cut and cover work of subway construction after the temporary cover has been placed.

GROUP 1-e: Work on and/or in bell hole footings and shafts thereof, and work on and in deep footings. (A deep footing is a hole 15 feet or more in depth.) In the event the depth of the footing is unknown at the commencement of

excavation, and the final depth exceeds 15 feet, the deep footing wage rate would apply to all employees for each and every day worked on or in the excavation of the footing from the date of inception.

GROUP 1-f: Wire winding machine in connection with guniting or shot crete

GROUP 1-g, CONTRA COSTA COUNTY: Pipelayer (including grade checking in connection with pipelaying); Caulker; Bander; Pipewrapper; Conduit layer; Plastic pipe layer; Pressure pipe tester; No joint pipe and stripping of same, including repair of voids; Precast manhole setters, cast in place manhole form setters

GROUP 2: Asphalt shoveler; Cement dumper and handling dry cement or gypsum; Choke-setter and rigger (clearing work); Concrete bucket dumper and chute; Concrete chipping and grinding; Concrete laborer (wet or dry); Driller tender, chuck tender, nipper; Guinea chaser (stake), grout crew; High pressure nozzle, adductor; Hydraulic monitor (over 100 lbs. pressure); Loading and unloading, carrying and hauling of all rods and materials for use in reinforcing concrete construction; Pittsburgh chipper and similar type brush shredders; Sloper; Single foot, hand-held, pneumatic tamper; All pneumatic, air, gas and electric tools not listed in Groups 1 through 1-f; Jacking of pipe - under 12 inches

GROUP 3: Construction laborers, including bridge and general laborer; Dump, load spotter; Flag person; Fire watcher; Fence erector; Guardrail erector; Gardener, horticultural and landscape laborer; Jetting; Limber, brush loader and piler; Pavement marker (button setter); Maintenance, repair track and road beds; Streetcar and railroad construction track laborer; Temporary air and water lines, Victaulic or similar; Tool room attendant (jobsite only)

GROUP 4: Final clean-up work of debris, grounds and building including but not limited to: street cleaner; cleaning and washing windows; brick cleaner (jobsite only); material cleaner (jobsite only). The classification "material cleaner" is to be utilized under the following conditions:

- A: at demolition site for the salvage of the material.
- B: at the conclusion of a job where the material is to be salvaged and stocked to be reused on another job.
- C: for the cleaning of salvage material at the jobsite or temporary jobsite yard.

The material cleaner classification should not be used in the performance of "form stripping, cleaning and oiling and moving to the next point of erection".

GUNITE LABORER CLASSIFICATIONS

GROUP 1: Structural Nozzleman

GROUP 2: Nozzleman, Gunman, Potman, Groundman

GROUP 3: Reboundman

GROUP 4: Gunite laborer

WRECKING WORK LABORER CLASSIFICATIONS

GROUP 1: Skilled wrecker (removing and salvaging of sash, windows and materials)

GROUP 2: Semi-skilled wrecker (salvaging of other building materials)

GROUP 1-g, CONTRA COSTA COUNTY: Pipelayer (including grade checking in connection with pipelaying); Caulker; Bander; Pipewrapper; Conduit layer; Plastic pipe layer; Pressure pipe tester; No joint pipe and stripping of same, including repair of voids; Precast manhole setters, cast in place manhole form setters

LAB00324-014 07/01/2023

CONTRA COSTA COUNTY:

	Rates	Fringes
Brick Tender.....	\$ 37.05	27.45

FOOTNOTES: Work on jobs where heat-protective clothing is required: \$2.00 per hour additional. Work at grinders: \$.25 per hour additional. Manhole work: \$2.00 per day additional.

LAB00324-018 07/01/2023

ALAMEDA AND CONTRA COSTA COUNTIES:

	Rates	Fringes
Plasterer tender.....	\$ 41.93	30.32

Work on a swing stage scaffold: \$1.00 per hour additional.

LAB01130-002 07/01/2023

MARIPOSA, MERCED, STANISLAUS, AND TUOLUMNE COUNTIES

	Rates	Fringes
LABORER (TRAFFIC CONTROL/LANE CLOSURE)		
Escort Driver, Flag Person..	\$ 36.26	27.30
Traffic Control Person I....	\$ 36.56	27.30
Traffic Control Person II...	\$ 34.06	27.30

TRAFFIC CONTROL PERSON I: Layout of traffic control, crash cushions, construction area and roadside signage.

TRAFFIC CONTROL PERSON II: Installation and removal of temporary/permanent signs, markers, delineators and crash cushions.

LAB01130-003 06/26/2023

MARIPOSA, MERCED, STANISLAUS, AND TUOLUMNE COUNTIES

	Rates	Fringes
Tunnel and Shaft Laborers:		
GROUP 1.....	\$ 45.89	27.72
GROUP 2.....	\$ 45.66	27.72
GROUP 3.....	\$ 45.41	27.72
GROUP 4.....	\$ 44.96	27.72
GROUP 5.....	\$ 44.42	27.72
Shotcrete Specialist.....	\$ 46.41	27.72

TUNNEL AND SHAFT CLASSIFICATIONS

GROUP 1: Diamond driller; Groundmen; Gunite and shotcrete nozzlelemen

GROUP 2: Rodmen; Shaft work & raise (below actual or excavated ground level)

GROUP 3: Bit grinder; Blaster, driller, powdermen, heading; Cherry pickermen - where car is lifted; Concrete finisher in tunnel; Concrete screedman; Grout pumpman and potman; Gunite & shotcrete gunman & potman; Headermen; High pressure nozzleleman; Miner - tunnel, including top and bottom man on shaft and raise work; Nipper; Nozzleman on slick line; Sandblaster - potman, Robotic Shotcrete Placer, Segment Erector, Tunnel Muck Hauler, Steel Form raiser and setter; Timberman, retimberman (wood or steel or substitute materials therefore); Tugger (for tunnel laborer work); Cable tender; Chuck tender; Powderman - primer house

GROUP 4: Vibrator operator, pavement breaker; Bull gang - muckers, trackmen; Concrete crew - includes rodding and spreading, Dumpmen (any method)

GROUP 5: Grout crew; Reboundman; Swamper/ Brakeman

LAB01130-005 07/01/2023

MARIPOSA, MERCED, STANISLAUS AND TUOLUMNE COUNTIES

	Rates	Fringes
LABORER		
Mason Tender-Brick.....	\$ 36.29	25.55

LAB01130-007 06/26/2023

MARIPOSA, MERCED, STANISLAUS, AND TUOLUMNE , COUNTIES

	Rates	Fringes
LABORER (CONSTRUCTION CRAFT LABORERS - AREA B:)		
Construction Specialist		
Group.....	\$ 36.20	27.30
GROUP 1.....	\$ 35.50	27.30
GROUP 1-a.....	\$ 35.72	27.30
GROUP 1-c.....	\$ 35.55	27.30
GROUP 1-e.....	\$ 36.05	27.30
GROUP 1-f.....	\$ 36.08	27.30
GROUP 2.....	\$ 35.35	27.30
GROUP 3.....	\$ 35.25	27.30
GROUP 4.....	\$ 28.94	27.30

See groups 1-b and 1-d under laborer classifications.

LABORER (GARDENERS,
HORTICULTURAL & LANDSCAPE
LABORERS - AREA B:)

(1) New Construction.....	\$ 35.25	27.30
(2) Establishment Warranty Period.....	\$ 28.94	27.30

LABORER (GUNITE - AREA B:)

GROUP 1.....	\$ 36.46	27.30
GROUP 2.....	\$ 35.96	27.30
GROUP 3.....	\$ 35.37	27.30
GROUP 4.....	\$ 35.25	27.30

LABORER (WRECKING - AREA B:)

GROUP 1.....	\$ 35.50	27.30
GROUP 2.....	\$ 35.35	27.30

FOOTNOTES:

Laborers working off or with or from bos'n chairs, swinging scaffolds, belts shall receive \$0.25 per hour above the applicable wage rate. This shall not apply to workers entitled to receive the wage rate set forth in Group 1-a below.

LABORER CLASSIFICATIONS

CONSTRUCTION SPECIALIST GROUP: Asphalt ironer and raker; Chainsaw; Laser beam in connection with laborers' work; Cast-in- place manhole form setter; Pressure pipelayer; Davis trencher - 300 or similar type (and all small trenchers); Blaster; Diamond driller; Multiple unit drill; Hydraulic drill

GROUP 1: Asphalt spreader boxes (all types); Barko, Wacker and similar type tampers; Buggymobile; Caulker, bander, pipewrapper, conduit layer, plastic pipelayer; Certified hazardous waste worker including Leade Abatement; Compactors of all types; Concrete and magnesite mixer, 1/2 yd. and under; Concrete pan work; Concrete sander; Concrete saw; Cribber and/or shoring; Cut granite curb setter; Dri-pak-it machine; Faller, logloader and buckler; Form raiser, slip forms; Green cutter; Headerboard, Hubsetter, aligner, by any method; High pressure blow pipe (1-1/2" or over, 100 lbs. pressure/over); Hydro seeder and similar type; Jackhammer operator; Jacking of pipe over 12 inches; Jackson and similar type compactor; Kettle tender, pot and worker applying asphalt, lay-kold, creosote, lime, caustic and similar type materials (applying means applying, dipping or handling of such materials); Lagging, sheeting, whaling, bracing, trenchjacking, lagging hammer; Magnesite, epoxyresin, fiberglass, mastic worker (wet or dry); No joint pipe and stripping of same, including repair of voids; Pavement breaker and spader, including tool grinder; Perma curb; Pipelayer (including grade checking in connection with pipelaying); Precast-manhole setter; Pressure pipe tester; Post hole digger, air, gas and electric; Power broom sweeper; Power tampers of all types (except as shown in Group 2); Ram set gun and stud gun; Riprap stonepaver and rock-slinger, including placing of sacked concrete and/or sand (wet or dry) and gabions and similar type; Rotary scarifier or multiple head concrete chipping scarifier; Roto and Ditch Witch; Rototiller; Sandblaster, pot, gun, nozzle operators; Signalling and

rigging; Tank cleaner; Tree climber; Turbo blaster; Vibrascreed, bull float in connection with laborers' work; Vibrator; Hazardous waste worker (lead removal); Asbestos and mold removal worker

GROUP 1-a: Joy drill model TWM-2A; Gardner-Denver model DH143 and similar type drills; Track driller; Jack leg driller; Wagon driller; Mechanical drillers, all types regardless of type or method of power; Mechanical pipe layers, all types regardless of type or method of power; Blaster and powder; All work of loading, placing and blasting of all powder and explosives of whatever type regardless of method used for such loading and placing; High scalars (including drilling of same); Tree topper; Bit grinder

GROUP 1-b: Sewer cleaners shall receive \$4.00 per day above Group 1 wage rates. "Sewer cleaner" means any worker who handles or comes in contact with raw sewage in small diameter sewers. Those who work inside recently active, large diameter sewers, and all recently active sewer manholes shall receive \$5.00 per day above Group 1 wage rates.

GROUP 1-c: Burning and welding in connection with laborers' work; Synthetic thermoplastics and similar type welding

GROUP 1-d: Maintenance and repair track and road beds. All employees performing work covered herein shall receive \$.25 per hour above their regular rate for all work performed on underground structures not specifically covered herein. This paragraph shall not be construed to apply to work below ground level in open cut. It shall apply to cut and cover work of subway construction after the temporary cover has been placed.

GROUP 1-e: Work on and/or in bell hole footings and shafts thereof, and work on and in deep footings. (A deep footing is a hole 15 feet or more in depth.) In the event the depth of the footing is unknown at the commencement of excavation, and the final depth exceeds 15 feet, the deep footing wage rate would apply to all employees for each and every day worked on or in the excavation of the footing from the date of inception.

GROUP 1-f: Wire winding machine in connection with guniting or shot crete

GROUP 2: Asphalt shoveler; Cement dumper and handling dry cement or gypsum; Choke-setter and rigger (clearing work); Concrete bucket dumper and chute; Concrete chipping and grinding; Concrete laborer (wet or dry); Driller tender, chuck tender, nipper; Guinea chaser (stake), grout crew; High pressure nozzle, adductor; Hydraulic monitor (over 100 lbs. pressure); Loading and unloading, carrying and hauling of all rods and materials for use in reinforcing concrete construction; Pittsburgh chipper and similar type brush shredders; Sloper; Single foot, hand-held, pneumatic tamper; All pneumatic, air, gas and electric tools not listed in Groups 1 through 1-f; Jacking of pipe - under 12 inches

GROUP 3: Construction laborers, including bridge and general laborer; Dump, load spotter; Flag person; Fire watcher; Fence erector; Guardrail erector; Gardener, horticultural and landscape laborer; Jetting; Limber, brush loader and

piler; Pavement marker (button setter); Maintenance, repair track and road beds; Streetcar and railroad construction track laborer; Temporary air and water lines, Victaulic or similar; Tool room attendant (jobsite only)

GROUP 4: Final clean-up work of debris, grounds and building including but not limited to: street cleaner; cleaning and washing windows; brick cleaner (jobsite only); material cleaner (jobsite only). The classification "material cleaner" is to be utilized under the following conditions:

- A: at demolition site for the salvage of the material.
- B: at the conclusion of a job where the material is to be salvaged and stocked to be reused on another job.
- C: for the cleaning of salvage material at the jobsite or temporary jobsite yard.

The material cleaner classification should not be used in the performance of "form stripping, cleaning and oiling and moving to the next point of erection".

GUNITE LABORER CLASSIFICATIONS

- GROUP 1: Structural Nozzleman
- GROUP 2: Nozzleman, Gunman, Potman, Groundman
- GROUP 3: Reboundman
- GROUP 4: Gunite laborer

WRECKING WORK LABORER CLASSIFICATIONS

- GROUP 1: Skilled wrecker (removing and salvaging of sash, windows and materials)
- GROUP 2: Semi-skilled wrecker (salvaging of other building materials)

LAB01130-008 07/01/2023

CALAVERAS, FRESNO, KINGS, MADERA, MARIPOSA, MERCED, SAN JOAQUIN, STANISLAUS & TUOLUMNE

	Rates	Fringes
Plasterer tender.....	\$ 39.77	28.54

Work on a swing stage scaffold: \$1.00 per hour additional.

LAB01130-009 07/01/2023

MARIPOSA, MERCED, STANISLAUS, AND TUOLUMNE COUNTIES

	Rates	Fringes
LABORER (Plaster Tender).....	\$ 39.77	28.54

Work on a swing stage scaffold: \$1.00 per hour additional.

PAIN0016-001 01/01/2024

ALAMEDA, CONTRA COSTA, MONTEREY, SAN BENITO, SAN MATEO, SANTA CLARA, AND SANTA CRUZ COUNTIES

	Rates	Fringes
Painters:.....	\$ 50.51	27.66

PREMIUMS:

EXOTIC MATERIALS - \$1.25 additional per hour.
 SPRAY WORK: - \$0.50 additional per hour.
 INDUSTRIAL PAINTING - \$0.25 additional per hour
 [Work on industrial buildings used for the manufacture and processing of goods for sale or service; steel construction (bridges), stacks, towers, tanks, and similar structures]

HIGH WORK:
 over 50 feet - \$2.00 per hour additional
 100 to 180 feet - \$4.00 per hour additional
 Over 180 feet - \$6.00 per hour additional

PAIN0016-003 01/01/2024

AREA 1: ALAMEDA, CONTRA COSTA, SAN FRANCISCO, SAN MATEO & SANTA CLARA COUNTIES

AREA 2: CALAVERAS, MARIPOSA, MERCED, MONTEREY, SAN BENITO, SAN JOAQUIN, SANTA CRUZ, STANISLAUS & TUOLUMNE COUNTIES

	Rates	Fringes
Drywall Finisher/Taper		
AREA 1.....	\$ 60.41	31.34
AREA 2.....	\$ 56.28	29.94

PAIN0016-012 01/01/2024

ALAMEDA, CONTRA COSTA, MARIPOSA, MERCED, MONTEREY, SAN BENITO, SAN FRANCISCO, SAN MATEO, SANTA CLARA AND SANTA CRUZ COUNTIES

	Rates	Fringes
SOFT FLOOR LAYER.....	\$ 59.00	33.03

PAIN0016-015 01/01/2024

CALAVERAS, MARIPOSA, MERCED, SAN JOAQUIN, STANISLAUS & TUOLUMNE COUNTIES

	Rates	Fringes
PAINTER		
Brush.....	\$ 40.85	22.40

FOOTNOTES:
 SPRAY/SANDBLAST: \$0.50 additional per hour.
 EXOTIC MATERIALS: \$1.25 additional per hour.
 HIGH TIME: Over 50 ft above ground or water level \$2.00

additional per hour. 100 to 180 ft above ground or water level \$4.00 additional per hour. Over 180 ft above ground or water level \$6.00 additional per hour.

PAIN0016-022 01/01/2024

SAN FRANCISCO COUNTY

	Rates	Fringes
PAINTER.....	\$ 54.13	27.66

PAIN0169-001 01/01/2023

FRESNO, KINGS, MADERA, MARIPOSA AND MERCED COUNTIES:

	Rates	Fringes
GLAZIER.....	\$ 44.33	28.88

PAIN0169-005 01/01/2024

ALAMEDA CONTRA COSTA, MONTEREY, SAN BENITO, SAN FRANCISCO, SAN MATEO, SANTA CLARA & SANTA CRUZ COUNTIES

	Rates	Fringes
GLAZIER.....	\$ 56.22	34.00

PAIN0294-004 07/01/2023

FRESNO, KINGS AND MADERA COUNTIES

	Rates	Fringes
PAINTER		
Brush, Roller.....	\$ 34.49	21.80
Drywall Finisher/Taper.....	\$ 35.74	21.80

FOOTNOTE:

Spray Painters & Paperhangers receive \$1.00 additional per hour. Painters doing Drywall Patching receive \$1.25 additional per hour. Lead Abaters & Sandblasters receive \$1.50 additional per hour. High Time - over 30 feet (does not include work from a lift) \$0.75 per hour additional.

PAIN0294-005 01/01/2023

FRESNO, KINGS & MADERA

	Rates	Fringes
SOFT FLOOR LAYER.....	\$ 38.53	23.19

PAIN0767-001 01/01/2024

CALAVERAS, SAN JOAQUIN, STANISLAUS AND TUOLUMNE COUNTIES:

	Rates	Fringes
GLAZIER.....	\$ 43.25	35.62

PAID HOLIDAYS: New Year's Day, Martin Luther King, Jr. Day, President's Day, Memorial Day, Independence Day, Labor Day, Veteran's Day, Thanksgiving Day, and Christmas Day.

Employee required to wear a body harness shall receive \$1.50 per hour above the basic hourly rate at any elevation.

 PAIN1176-001 07/01/2022

HIGHWAY IMPROVEMENT

	Rates	Fringes
Parking Lot Striping/Highway Marking:		
GROUP 1.....	\$ 40.83	17.62
GROUP 2.....	\$ 34.71	17.62
GROUP 3.....	\$ 35.11	17.62

CLASSIFICATIONS

GROUP 1: Striper: Layout and application of painted traffic stripes and marking; hot thermo plastic; tape, traffic stripes and markings

GROUP 2: Gamecourt & Playground Installer

GROUP 3: Protective Coating, Pavement Sealing

 PAIN1237-003 01/01/2024

CALAVERAS; SAN JOAQUIN COUNTIES; STANISLAUS AND TUOLUMNE COUNTIES:

	Rates	Fringes
SOFT FLOOR LAYER.....	\$ 48.54	26.59

 PLAS0066-002 07/01/2019

ALAMEDA, CONTRA COSTA, SAN MATEO AND SAN FRANCISCO COUNTIES:

	Rates	Fringes
PLASTERER.....	\$ 42.41	30.73

 PLAS0300-001 07/01/2018

	Rates	Fringes
PLASTERER		
AREA 188: Fresno.....	\$ 32.70	31.68
AREA 224: San Benito, Santa Clara, Santa Cruz.....	\$ 32.88	31.68
AREA 295: Calaveras & San Joaquin Counties.....	\$ 32.70	31.68
AREA 337: Monterey County..	\$ 32.88	31.68
AREA 429: Mariposa, Merced, Stanislaus, Tuolumne Counties.....	\$ 32.70	31.68

 PLAS0300-005 07/01/2016

	Rates	Fringes
CEMENT MASON/CONCRETE FINISHER...	\$ 32.15	23.27

 PLUM0038-001 07/01/2023
 SAN FRANCISCO COUNTY

	Rates	Fringes
PLUMBER (Plumber, Steamfitter, Refrigeration Fitter).....	\$ 85.50	48.98

 PLUM0038-005 07/01/2023
 SAN FRANCISCO COUNTY

	Rates	Fringes
Landscape/Irrigation Fitter (Underground/Utility Fitter).....	\$ 72.68	32.91

 PLUM0062-001 07/01/2024
 MONTEREY AND SANTA CRUZ COUNTIES

	Rates	Fringes
PLUMBER & STEAMFITTER.....	\$ 53.00	41.70

 PLUM0159-001 07/01/2024
 CONTRA COSTA COUNTY

	Rates	Fringes
Plumber and steamfitter		
(1) Refrigeration.....	\$ 65.28	48.04
(2) All other work.....	\$ 66.17	48.04

 PLUM0246-001 07/01/2024
 FRESNO, KINGS & MADERA COUNTIES

	Rates	Fringes
PLUMBER & STEAMFITTER.....	\$ 50.00	40.69

 * PLUM0246-004 01/01/2017
 FRESNO, MERCED & SAN JOAQUIN COUNTIES

	Rates	Fringes
PLUMBER (PIPE TRADESMAN).....	\$ 13.00 **	10.74

PIPE TRADESMAN SCOPE OF WORK:
 Installation of corrugated metal piping for drainage, as well as installation of corrugated metal piping for culverts in connection with storm sewers and drains; Grouting, dry packing and diapering of joints, holes or chases including paving over joints, in piping; Temporary piping for dirt work for building site preparation; Operating jack hammers,

pavement breakers, chipping guns, concrete saws and spades to cut holes, chases and channels for piping systems; Digging, grading, backfilling and ground preparation for all types of pipe to all points of the jobsite; Ground preparation including ground leveling, layout and planting of shrubbery, trees and ground cover, including watering, mowing, edging, pruning and fertilizing, the breaking of concrete, digging, backfilling and tamping for the preparation and completion of all work in connection with lawn sprinkler and landscaping; Loading, unloading and distributing materials at jobsite; Putting away materials in storage bins in jobsite secure storage area; Demolition of piping and fixtures for remodeling and additions; Setting up and tearing down work benches, ladders and job shacks; Clean-up and sweeping of jobsite; Pipe wrapping and waterproofing where tar or similar material is applied for protection of buried piping; Flagman

 PLUM0342-001 07/01/2023

ALAMEDA & CONTRA COSTA COUNTIES

	Rates	Fringes
PIPEFITTER		
CONTRA COSTA COUNTY.....	\$ 74.00	47.45
PLUMBER, PIPEFITTER, STEAMFITTER		
ALAMEDA COUNTY.....	\$ 74.00	47.45

 PLUM0355-004 07/01/2024

ALAMEDA, CALAVERAS, CONTRA COSTA, FRESNO, KINGS, MADERA, MARIPOSA, MERCED, MONTEREY, SAN BENITO, SAN JOAQUIN, SAN MATEO, SANTA CLARA, SANTA CRUZ, STANISLAUS, AND TUOLUMNE COUNTIES:

	Rates	Fringes
Underground Utility Worker /Landscape Fitter.....	\$ 34.51	18.30

 PLUM0393-001 07/01/2021

SAN BENITO AND SANTA CLARA COUNTIES

	Rates	Fringes
PLUMBER/PIPEFITTER.....	\$ 68.76	46.63

 PLUM0442-001 07/01/2024

CALAVERAS, MARIPOSA, MERCED, SAN JOAQUIN, STANISLAUS & TUOLUMNE COUNTIES

	Rates	Fringes
PLUMBER & STEAMFITTER.....	\$ 54.05	36.99

 PLUM0467-001 07/01/2024

SAN MATEO COUNTY

	Rates	Fringes
Plumber/Pipefitter/Steamfitter...	\$ 83.75	40.65

FRESNO, KINGS, AND MADERA COUNTIES

	Rates	Fringes
ROOFER.....	\$ 42.51	16.11

FOOTNOTE: Work with pitch, pitch base of pitch impregnated products or any material containing coal tar pitch, on any building old or new, where both asphalt and pitchers are used in the application of a built-up roof or tear off: \$2.00 per hour additional.

* ROOF0040-002 08/01/2024

SAN FRANCISCO & SAN MATEO COUNTIES:

	Rates	Fringes
ROOFER.....	\$ 55.30	22.97

ROOF0081-001 08/01/2023

ALAMEDA AND CONTRA COSTA COUNTIES:

	Rates	Fringes
Rofer.....	\$ 52.47	22.31

ROOF0081-004 08/01/2024

CALAVERAS, MARIPOSA, MERCED, SAN JOAQUIN, STANISLAUS AND TUOLUMNE COUNTIES:

	Rates	Fringes
ROOFER.....	\$ 49.65	22.19

ROOF0095-002 08/01/2023

MONTEREY, SAN BENITO, SANTA CLARA, AND SANTA CRUZ COUNTIES:

	Rates	Fringes
ROOFER		
Bitumastic, Enameler, Coal Tar, Pitch and Mastic worker.....	\$ 57.17	21.51
Journeyman.....	\$ 53.17	21.51
Kettle person (2 kettles)...	\$ 55.17	21.51

SFCA0483-001 08/01/2024

ALAMEDA, CONTRA COSTA, SAN FRANCISCO, SAN MATEO AND SANTA CLARA COUNTIES:

Rates	Fringes
-------	---------

SPRINKLER FITTER (FIRE).....\$ 79.13 38.51

SFCA0669-011 01/01/2024

CALAVERAS, FRESNO, KINGS, MADERA, MARIPOSA, MERCED, MONTEREY,
SAN BENITO, SAN JOAQUIN, SANTA CRUZ, STANISLAUS AND TUOLUMNE
COUNTIES:

Rates Fringes

SPRINKLER FITTER.....\$ 44.32 27.83

SHEE0104-001 07/01/2020

AREA 1: ALAMEDA, CONTRA COSTA, SAN FRANCISCO, SAN MATEO, SANTA
CLARA

AREA 2: MONTEREY & SAN BENITO

AREA 3: SANTA CRUZ

Rates Fringes

SHEET METAL WORKER

AREA 1:

Mechanical Contracts

under \$200,000.....\$ 55.92 45.29

All Other Work.....\$ 64.06 46.83

AREA 2.....\$ 52.90 36.44

AREA 3.....\$ 55.16 34.18

SHEE0104-003 07/01/2021

CALAVERAS AND SAN JOAQUIN COUNTIES:

Rates Fringes

SHEET METAL WORKER.....\$ 44.34 39.22

SHEE0104-005 07/01/2021

MARIPOSA, MERCED, STANISLAUS AND TUOLUMNE COUNTIES:

Rates Fringes

SHEET METAL WORKER (Excluding
metal deck and siding).....\$ 41.28 45.41

SHEE0104-007 07/01/2021

FRESNO, KINGS, AND MADERA COUNTIES:

Rates Fringes

SHEET METAL WORKER.....\$ 44.07 40.79

SHEE0104-015 07/01/2020

ALAMEDA, CONTRA COSTA, MONTEREY, SAN BENITO, SAN FRANCISCO, SAN
MATEO, SANTA CLARA AND SANTA CRUZ COUNTIES:

	Rates	Fringes
SHEET METAL WORKER (Metal Decking and Siding only).....	\$ 44.45	35.55

SHEE0104-018 07/01/2020		

CALAVERAS, FRESNO, KINGS, MADERA, MARIPOSA, MERCED, SAN JOAQUIN, STANISLAUS AND TUOLUMNE COUNTIES:

	Rates	Fringes
Sheet metal worker (Metal decking and siding only).....	\$ 44.45	35.55

TEAM0094-001 07/01/2024		

	Rates	Fringes
Truck drivers:		
GROUP 1.....	\$ 41.54	33.25
GROUP 2.....	\$ 41.84	33.25
GROUP 3.....	\$ 42.14	33.25
GROUP 4.....	\$ 42.49	33.25
GROUP 5.....	\$ 42.84	33.25

FOOTNOTES:
 Articulated dump truck; Bulk cement spreader (with or without auger); Dumpcrete truck; Skid truck (debris box); Dry pre-batch concrete mix trucks; Dumpster or similar type; Slurry truck: Use dump truck yardage rate.
 Heater planer; Asphalt burner; Scarifier burner; Industrial lift truck (mechanical tailgate); Utility and clean-up truck: Use appropriate rate for the power unit or the equipment utilized.

TRUCK DRIVER CLASSIFICATIONS

GROUP 1: Dump trucks, under 6 yds.; Single unit flat rack (2-axle unit); Nipper truck (when flat rack truck is used appropriate flat rack shall apply); Concrete pump truck (when flat rack truck is used appropriate flat rack shall apply); Concrete pump machine; Fork lift and lift jitneys; Fuel and/or grease truck driver or fuel person; Snow buggy; Steam cleaning; Bus or personhaul driver; Escort or pilot car driver; Pickup truck; Teamster oiler/greaser and/or serviceperson; Hook tender (including loading and unloading); Team driver; Tool room attendant (refineries)

GROUP 2: Dump trucks, 6 yds. and under 8 yds.; Transit mixers, through 10 yds.; Water trucks, under 7,000 gals.; Jetting trucks, under 7,000 gals.; Single-unit flat rack (3-axle unit); Highbed heavy duty transport; Scissor truck; Rubber-tired muck car (not self-loaded); Rubber-tired truck jumbo; Winch truck and "A" frame drivers; Combination winch truck with hoist; Road oil truck or bootperson; Buggymobile; Ross, Hyster and similar straddle carriers; Small rubber-tired tractor

GROUP 3: Dump trucks, 8 yds. and including 24 yds.; Transit mixers, over 10 yds.; Water trucks, 7,000 gals. and over; Jetting trucks, 7,000 gals. and over; Vacuum trucks under 7500 gals. Trucks towing tilt bed or flat bed pull

trailers; Lowbed heavy duty transport; Heavy duty transport tiller person; Self- propelled street sweeper with self-contained refuse bin; Boom truck - hydro-lift or Swedish type extension or retracting crane; P.B. or similar type self-loading truck; Tire repairperson; Combination bootperson and road oiler; Dry distribution truck (A bootperson when employed on such equipment, shall receive the rate specified for the classification of road oil trucks or bootperson); Ammonia nitrate distributor, driver and mixer; Snow Go and/or plow

GROUP 4: Dump trucks, over 25 yds. and under 65 yds.; Water pulls - DW 10's, 20's, 21's and other similar equipment when pulling Aqua/pak or water tank trailers; Helicopter pilots (when transporting men and materials); Lowbedk Heavy Duty Transport up to including 7 axles; DW10's, 20's, 21's and other similar Cat type, Terra Cobra, LeTourneau Pulls, Tournorocker, Euclid and similar type equipment when pulling fuel and/or grease tank trailers or other miscellaneous trailers; Vacuum Trucks 7500 gals and over and truck repairman

GROUP 5: Dump trucks, 65 yds. and over; Holland hauler; Low bed Heavy Duty Transport over 7 axles

WELDERS - Receive rate prescribed for craft performing operation to which welding is incidental.

=====

** Workers in this classification may be entitled to a higher minimum wage under Executive Order 14026 (\$17.20) or 13658 (\$12.90). Please see the Note at the top of the wage determination for more information. Please also note that the minimum wage requirements of Executive Order 14026 are not currently being enforced as to any contract or subcontract to which the states of Texas, Louisiana, or Mississippi, including their agencies, are a party.

Note: Executive Order (EO) 13706, Establishing Paid Sick Leave for Federal Contractors applies to all contracts subject to the Davis-Bacon Act for which the contract is awarded (and any solicitation was issued) on or after January 1, 2017. If this contract is covered by the EO, the contractor must provide employees with 1 hour of paid sick leave for every 30 hours they work, up to 56 hours of paid sick leave each year. Employees must be permitted to use paid sick leave for their own illness, injury or other health-related needs, including preventive care; to assist a family member (or person who is like family to the employee) who is ill, injured, or has other health-related needs, including preventive care; or for reasons resulting from, or to assist a family member (or person who is like family to the employee) who is a victim of, domestic violence, sexual assault, or stalking. Additional information on contractor requirements and worker protections under the EO is available at <https://www.dol.gov/agencies/whd/government-contracts>.

Unlisted classifications needed for work not included within the scope of the classifications listed may be added after award only as provided in the labor standards contract clauses (29CFR 5.5 (a) (1) (iii)).

The body of each wage determination lists the classification and wage rates that have been found to be prevailing for the cited type(s) of construction in the area covered by the wage determination. The classifications are listed in alphabetical order of ""identifiers"" that indicate whether the particular rate is a union rate (current union negotiated rate for local), a survey rate (weighted average rate) or a union average rate (weighted union average rate).

Union Rate Identifiers

A four letter classification abbreviation identifier enclosed in dotted lines beginning with characters other than ""SU"" or ""UAVG"" denotes that the union classification and rate were prevailing for that classification in the survey. Example: PLUM0198-005 07/01/2014. PLUM is an abbreviation identifier of the union which prevailed in the survey for this classification, which in this example would be Plumbers. 0198 indicates the local union number or district council number where applicable, i.e., Plumbers Local 0198. The next number, 005 in the example, is an internal number used in processing the wage determination. 07/01/2014 is the effective date of the most current negotiated rate, which in this example is July 1, 2014.

Union prevailing wage rates are updated to reflect all rate changes in the collective bargaining agreement (CBA) governing this classification and rate.

Survey Rate Identifiers

Classifications listed under the ""SU"" identifier indicate that no one rate prevailed for this classification in the survey and the published rate is derived by computing a weighted average rate based on all the rates reported in the survey for that classification. As this weighted average rate includes all rates reported in the survey, it may include both union and non-union rates. Example: SULA2012-007 5/13/2014. SU indicates the rates are survey rates based on a weighted average calculation of rates and are not majority rates. LA indicates the State of Louisiana. 2012 is the year of survey on which these classifications and rates are based. The next number, 007 in the example, is an internal number used in producing the wage determination. 5/13/2014 indicates the survey completion date for the classifications and rates under that identifier.

Survey wage rates are not updated and remain in effect until a new survey is conducted.

Union Average Rate Identifiers

Classification(s) listed under the UAVG identifier indicate that no single majority rate prevailed for those classifications; however, 100% of the data reported for the classifications was union data. EXAMPLE: UAVG-OH-0010 08/29/2014. UAVG indicates that the rate is a weighted union average rate. OH indicates the state. The next number, 0010 in the example, is an internal number used in producing the wage determination. 08/29/2014 indicates the survey completion date for the classifications and rates under that identifier.

A UAVG rate will be updated once a year, usually in January of each year, to reflect a weighted average of the current negotiated/CBA rate of the union locals from which the rate is based.

State Adopted Rate Identifiers

Classifications listed under the ""SA"" identifier indicate that the prevailing wage rate set by a state (or local) government was adopted under 29 C.F.R. 1.3(g)-(h). Example: SAME2023-007 01/03/2024. SA reflects that the rates are state adopted. ME refers to the State of Maine. 2023 is the year during which the state completed the survey on which the listed classifications and rates are based. The next number, 007 in the example, is an internal number used in producing the wage determination. 01/03/2024 reflects the date on which the classifications and rates under the ?SA? identifier took effect under state law in the state from which the rates were adopted.

WAGE DETERMINATION APPEALS PROCESS

1.) Has there been an initial decision in the matter? This can be:

- * an existing published wage determination
- * a survey underlying a wage determination
- * a Wage and Hour Division letter setting forth a position on a wage determination matter
- * a conformance (additional classification and rate) ruling

On survey related matters, initial contact, including requests for summaries of surveys, should be with the Wage and Hour National Office because National Office has responsibility for the Davis-Bacon survey program. If the response from this initial contact is not satisfactory, then the process described in 2.) and 3.) should be followed.

With regard to any other matter not yet ripe for the formal process described here, initial contact should be with the Branch of Construction Wage Determinations. Write to:

Branch of Construction Wage Determinations
Wage and Hour Division
U.S. Department of Labor
200 Constitution Avenue, N.W.
Washington, DC 20210

2.) If the answer to the question in 1.) is yes, then an interested party (those affected by the action) can request review and reconsideration from the Wage and Hour Administrator (See 29 CFR Part 1.8 and 29 CFR Part 7). Write to:

Wage and Hour Administrator
U.S. Department of Labor
200 Constitution Avenue, N.W.
Washington, DC 20210

The request should be accompanied by a full statement of the interested party's position and by any information (wage payment data, project description, area practice material, etc.) that the requestor considers relevant to the issue.

3.) If the decision of the Administrator is not favorable, an

interested party may appeal directly to the Administrative Review Board (formerly the Wage Appeals Board). Write to:

Administrative Review Board
U.S. Department of Labor
200 Constitution Avenue, N.W.
Washington, DC 20210

4.) All decisions by the Administrative Review Board are final.

=====

END OF GENERAL DECISION"

**CITY OF MANTECA
MAIN STREET (NORTHGATE DR – ALAMEDA ST) BIKE AND PEDESTRIAN
IMPROVEMENT PROJECT
CIP NO. 20005**

**ADDENDUM 1
DATED: October 1, 2024**

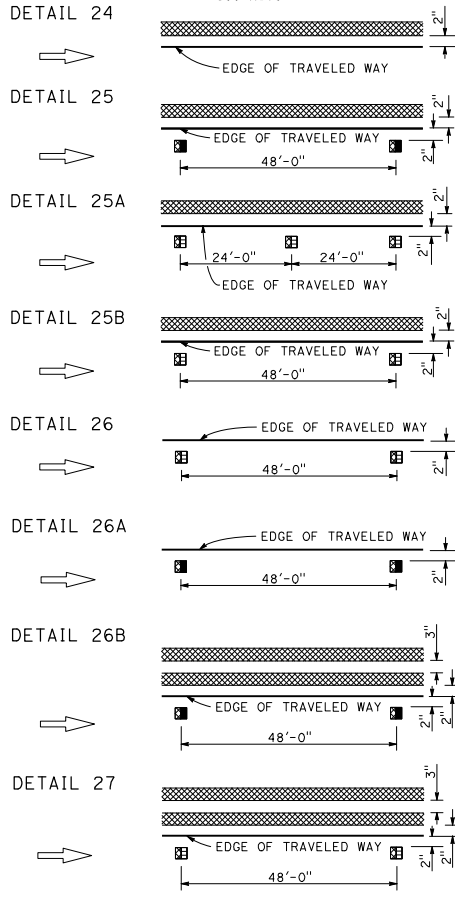
ATTACHMENT 2

ADDITIONAL PLAN SHEETS

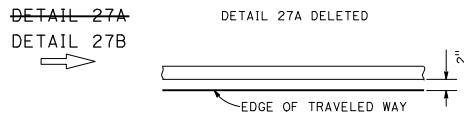
- RSP A20B: PAVEMENT MARKERS AND TRAFFIC LINES - TYPICAL DETAILS
- RSP RS5: ROADSIDE SIGNS-PSST POST-TYPICAL INSTALLATION DETAILS NO. 1
 - RSP ES-1C: ELECTRICAL SYSTEMS (LEGEND)
 - RSP ES-4E: ELECTRICAL SYSTEMS (SIGNAL HEADS)
 - RSP ES-5E: ELECTRICAL SYSTEMS (TRENCH IN PAVEMENT)
- RSP ES-7B: ELECTRICAL SYSTEMS (SIGNAL AND LIGHTING STANDARD, TYPE 1, AND EQUIPMENT IDENTIFICATION CHARACTERS)
- RSP ES-7F: ELECTRICAL SYSTEMS (SIGNAL AND LIGHTING STANDARD, CASE 4 SIGNAL MAST ARM LOADING, WIND VELOCITY=100 MPH AND SIGNAL MAST ARM LENGTHS 25' TO 45')
 - RSP ES-7M: ELECTRICAL SYSTEMS (SIGNAL AND LIGHTING STANDARD, DETAIL NO. 1)
- RSP ES-7R: ELECTRICAL SYSTEMS (SIGNAL AND LIGHTING, MISCELLANEOUS ATTACHMENT)

LEFT EDGE LINES

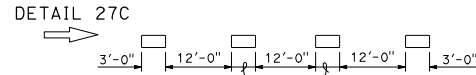
(DIVIDED HIGHWAYS)
See Note



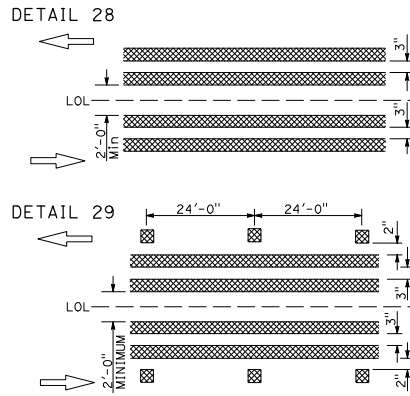
RIGHT EDGE LINES



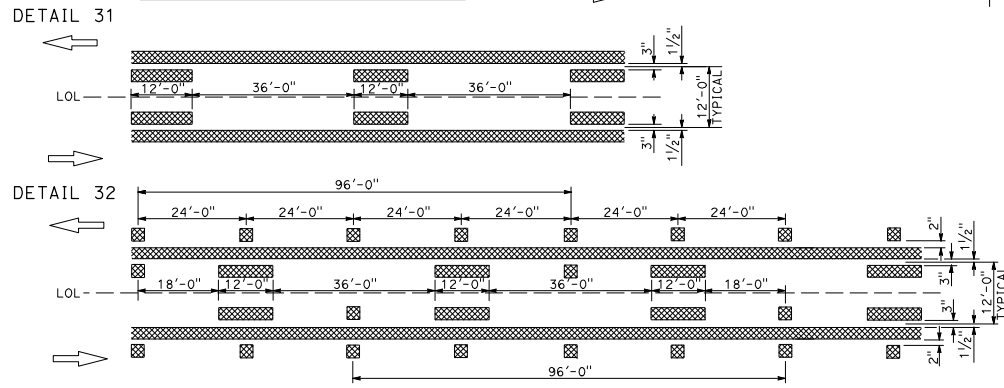
RIGHT EDGE LINE EXTENSION THROUGH INTERSECTIONS



MEDIAN ISLANDS



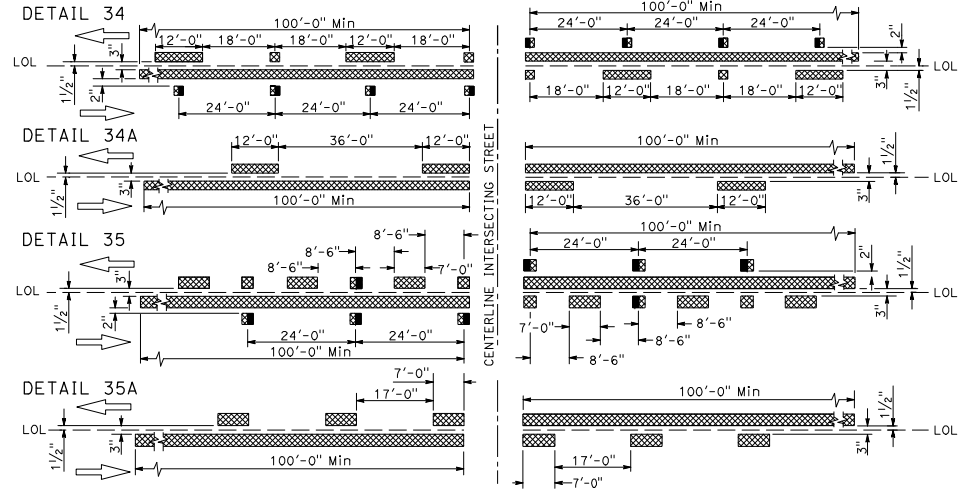
TWO-WAY LEFT TURN LANES



LEGEND:

- TYPE D TWO-WAY YELLOW RETROREFLECTIVE MARKER
- TYPE H ONE-WAY YELLOW RETROREFLECTIVE MARKER
- TYPE RY RED-YELLOW RETROREFLECTIVE MARKER
- 6" WHITE LINE
- 6" YELLOW LINE

INTERSECTION TREATMENTS



D16+	COUNTY	ROUTE	POST MILES TOTAL PROJECT	SHEET NO.	TOTAL SHEETS

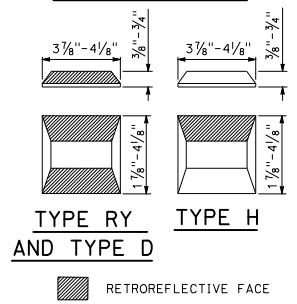
January 22, 2024
PLANS APPROVAL DATE

TO ACCOMPANY PLANS DATED _____

REGISTERED CIVIL ENGINEER
Lorencia Alonzo
No. CB1705
Exp. 3-31-24
CIVIL
STATE OF CALIFORNIA

THE STATE OF CALIFORNIA OR ITS OFFICERS OR AGENTS SHALL NOT BE RESPONSIBLE FOR THE ACCURACY OR COMPLETENESS OF SCANNED COPIES OF THIS PLAN SHEET.

MARKER DETAILS



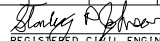
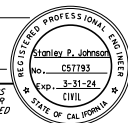
STATE OF CALIFORNIA
DEPARTMENT OF TRANSPORTATION
PAVEMENT MARKERS AND TRAFFIC LINES
TYPICAL DETAILS
NO SCALE

LEFT EDGE LINES NOTE:
On freeways use traffic stripe details with Type RY markers.

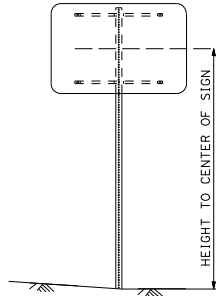
RSP A20B DATED JANUARY 22, 2024 SUPERSEDES STANDARD PLAN A20B
DATED MAY 1, 2023 - PAGE 13 OF THE STANDARD PLANS BOOK DATED 2023.

REVISED STANDARD PLAN RSP A20B

2023 REVISED STANDARD PLAN RSP A20B

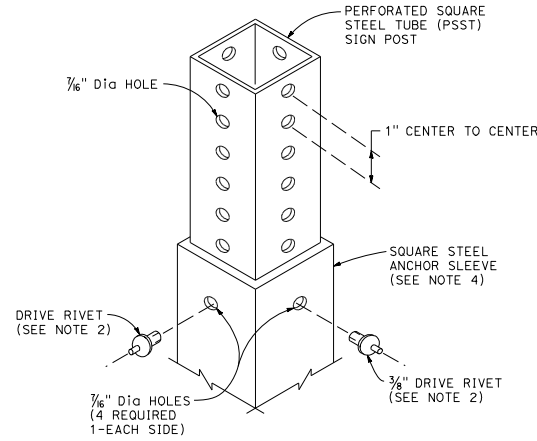
D16+	COUNTY	ROUTE	POST MILES TOTAL PROJECT	SHEET No.	TOTAL SHEETS
 REGISTERED CIVIL ENGINEER					
January 22, 2024 PLANS APPROVAL DATE					
THE STATE OF CALIFORNIA OR ITS OFFICERS OR AGENTS SHALL NOT BE RESPONSIBLE FOR THE ACCURACY OR COMPLETENESS OF SCANNED COPIES OF THIS PLAN SHEET.					

TO ACCOMPANY PLANS DATED _____



SINGLE POST INSTALLATION

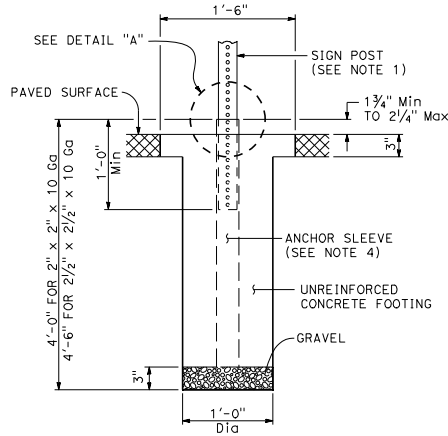
POST SIZE	Max AREA (SQARE FEET) OF SIGN							SLEEVE SIZE
2" x 2" x 12 Gg	10,8	8,9	7,6	6,6	5,9	5,3	4,8	2 1/2" x 2 1/2" x 7 Gg
2 1/2" x 2 1/2" x 10 Gg	20	18	16	14	12	11	10	3" x 3" x 7 Gg
HEIGHT TO CENTER OF SIGN SINGLE POST GROUND SIGNS 100 MPH WIND SPEED	5'-0"	6'-0"	7'-0"	8'-0"	9'-0"	10'-0"	11'-0"	-



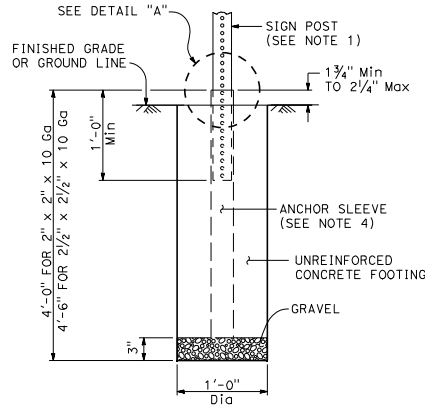
DETAIL "A"

NOTES:

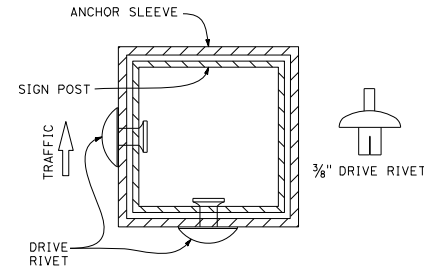
- The sign post shall have 7/16" diameter perforations 1" on center on all four sides for the full length.
- Use two drive rivets to fasten assembled sign and sign post into anchor sleeve. Install drive rivets or fastener alternative into the sides facing traffic.
- All steel sign posts and anchor sleeves shall be galvanized.
- All anchor sleeves shall be embedded in PCC.
- For details not shown, see Standard Plans RS1 and RS2.
- Steel post: fy = 60 ksi



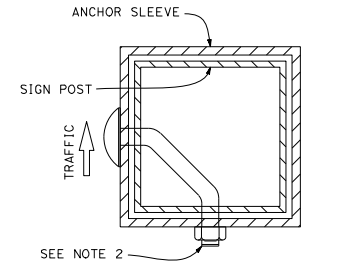
**ANCHOR SLEEVE IN
PAVED SURFACE**



**ANCHOR SLEEVE IN
UNPAVED SURFACE**



FASTENER



FASTENER ALTERNATIVE

STATE OF CALIFORNIA
DEPARTMENT OF TRANSPORTATION
**ROADSIDE SIGN
PSST POST
TYPICAL INSTALLATION
DETAILS No. 1**

NO SCALE

RSP R55 DATED JANUARY 22, 2024 SUPERSEDES STANDARD PLAN R55
DATED MAY 1, 2023 - PAGE 443 OF THE STANDARD PLANS BOOK DATED 2023.

REVISED STANDARD PLAN RSP R55

2023 REVISED STANDARD PLAN RSP R55

DIST	COUNTY	ROUTE	POST MILES TOTAL PROJECT	SHEET No.	TOTAL SHEETS

Omar Mendoza
REGISTERED ELECTRICAL ENGINEER

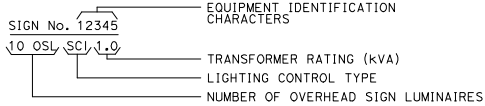
January 22, 2024
PLANS APPROVAL DATE

Omar Mendoza
No. E17982
Exp. 12-31-24
ELECTRICAL
REGISTERED PROFESSIONAL ENGINEER
STATE OF CALIFORNIA

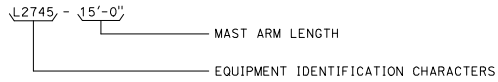
THE STATE OF CALIFORNIA OR ITS OFFICERS OR AGENTS SHALL NOT BE RESPONSIBLE FOR THE ACCURACY OR COMPLETENESS OF SCANNED COPIES OF THIS PLAN SHEET.

EQUIPMENT DESIGNATION

SIGN:



LIGHTING STANDARD, SIGNAL AND LIGHTING STANDARD:



SOFFIT:



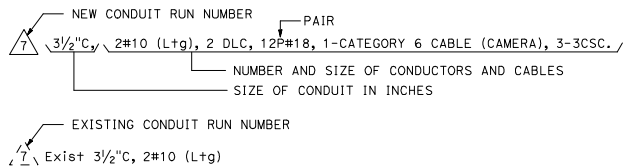
NOTE:
EXISTING EQUIPMENT IDENTIFICATION CHARACTERS ARE SHOWN IN PARENTHESIS

NEW	EXISTING	DESCRIPTION
(B)	(b)	POLE, POST OR STANDARD DESIGNATION

MISCELLANEOUS EQUIPMENT

NEW	EXISTING	DESCRIPTION
		CHANGEABLE MESSAGE SIGN
		CAMERA
		HIGHWAY ADVISORY RADIO POLE AND ANTENNA
		EXTINGUISHABLE MESSAGE SIGN
		DETECTION DEVICE M = MICROWAVE SENSOR V = VIDEO DETECTION SENSOR
		RADAR SPEED FEEDBACK SIGN

CONDUIT AND CONDUCTORS



WIRING COMPONENTS

SYMBOL	DESCRIPTION
---	EXTERNAL CONDUCTOR
— —	CONDUCTOR OR BUS
•	TIE POINT
— /	CONTACTOR COIL
— —	CONTACTOR, NO CONTACT
— —	CONTACTOR, NC CONTACT
⊗	TERMINAL BLOCKS
— /	ENCLOSURE BOND
⊥	GROUNDING ELECTRODE
— /	CIRCUIT BREAKER
⊕	RECEPTACLE

HANDHOLES, PULL BOXES, AND VAULTS

NEW	EXISTING	DESCRIPTION
		DETECTOR HANDHOLE
		PULL BOX, No. 5 UNLESS OTHERWISE INDICATED
		VAULT

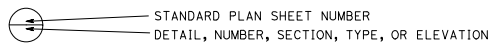
DESIGNATION — TYPE

DESIGNATIONS:
3 No. 3/2 PULL BOX
5 No. 5 PULL BOX
6 No. 6 PULL BOX
7 No. 7 PULL BOX (CEILING)
8 No. 8 PULL BOX
9 No. 9 PULL BOX (STRUCTURE)
9A No. 9A PULL BOX (STRUCTURE)

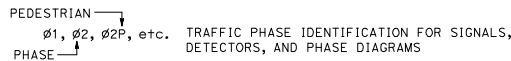
TYPE:

(E) EXTENDED PULL BOX
(T) TRAFFIC PULL BOX
(TR) TAMPER-RESISTANT PULL BOX

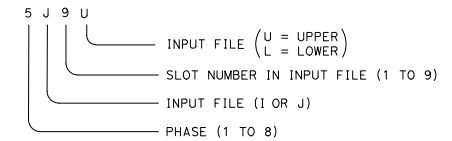
DETAILS



PHASE



VEHICLE DETECTOR DESIGNATION



DETECTORS

NEW	EXISTING	DESCRIPTION
		TYPE A LOOP DETECTOR. OUTLINE OF SAW CUT SHOWN
		TYPE B LOOP DETECTOR. OUTLINE OF SAW CUT SHOWN
		TYPE C LOOP DETECTOR. OUTLINE OF SAW CUT SHOWN
		TYPE D LOOP DETECTOR. OUTLINE OF SAW CUT SHOWN
		TYPE E LOOP DETECTOR. OUTLINE OF SAW CUT SHOWN
		TYPE F LOOP DETECTOR. OUTLINE OF SAW CUT SHOWN
		TYPE Q LOOP DETECTOR. OUTLINE OF SAW CUT SHOWN
		MICROWAVE OR VIDEO DETECTION ZONE
		ROADWAY SENSOR, PIEZOELECTRIC AXLE SENSOR UNLESS OTHERWISE INDICATED

STATE OF CALIFORNIA
DEPARTMENT OF TRANSPORTATION

ELECTRICAL SYSTEMS (LEGEND)

NO SCALE

RSP ES-1C DATED JANUARY 22, 2024 SUPERSEDES STANDARD PLAN ES-1C DATED MAY 1, 2023 - PAGE 519 OF THE STANDARD PLANS BOOK DATED 2023.

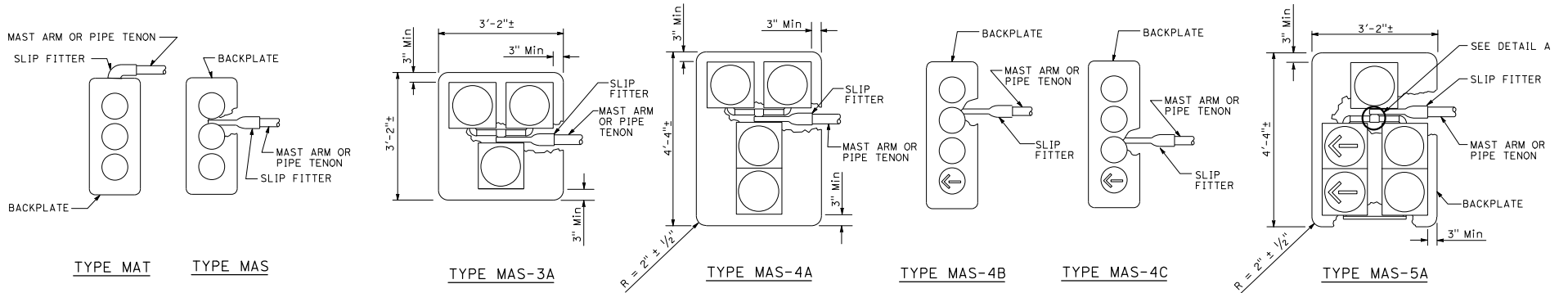
REVISED STANDARD PLAN RSP ES-1C

2023 REVISED STANDARD PLAN RSP ES-1C

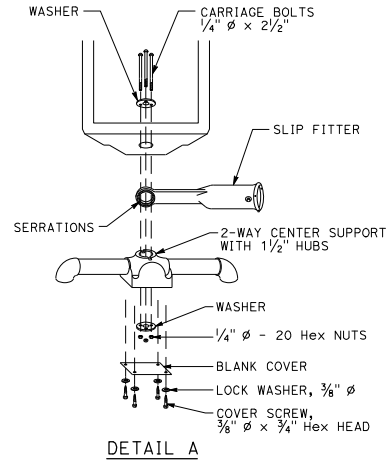
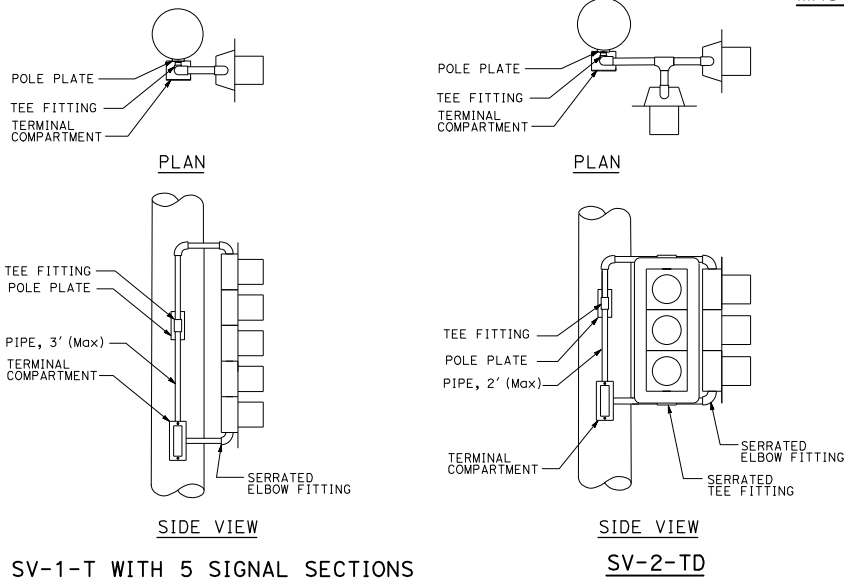
D16+	COUNTY	ROUTE	POST MILES TOTAL PROJECT	SHEET TOTAL NO. SHEETS

Omar Mendoza
 REGISTERED ELECTRICAL ENGINEER
 January 22, 2024
 PLANS APPROVAL DATE:
 THE STATE OF CALIFORNIA OR ITS OFFICERS
 OR AGENTS SHALL NOT BE RESPONSIBLE FOR
 THE ACCURACY OR COMPLETENESS OF SCANNED
 COPIES OF THIS PLAN SHEET.

TO ACCOMPANY PLANS DATED _____



MAST ARM MOUNTINGS



STATE OF CALIFORNIA
 DEPARTMENT OF TRANSPORTATION
**ELECTRICAL SYSTEMS
 (SIGNAL HEADS)**

NO SCALE

RSP ES-4E DATED JANUARY 22, 2024 SUPERSEDES STANDARD PLAN ES-4E
 DATED MAY 1, 2023 - PAGE 540 OF THE STANDARD PLANS BOOK DATED 2023.

REVISED STANDARD PLAN RSP ES-4E

2023 REVISED STANDARD PLAN RSP ES-4E

DIST	COUNTY	ROUTE	POST MILES TOTAL PROJECT	SHEET NO.	TOTAL SHEETS

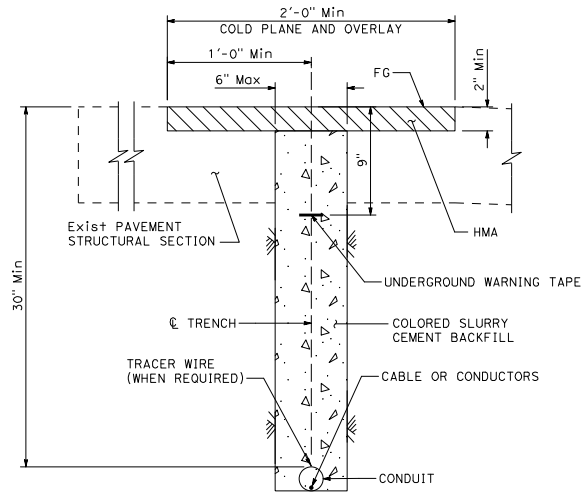
Omar Mendoza
REGISTERED ELECTRICAL ENGINEER

January 22, 2024
PLANS APPROVAL DATE:

THE STATE OF CALIFORNIA OR ITS OFFICERS
OR AGENTS SHALL NOT BE RESPONSIBLE FOR
THE ACCURACY OR COMPLETENESS OF SCANNED
COPIES OF THIS PLAN SHEET.

REGISTERED PROFESSIONAL ENGINEER
Omar Mendoza
No. E17982
Exp. 12-31-24
ELECTRICAL
STATE OF CALIFORNIA

TO ACCOMPANY PLANS DATED _____



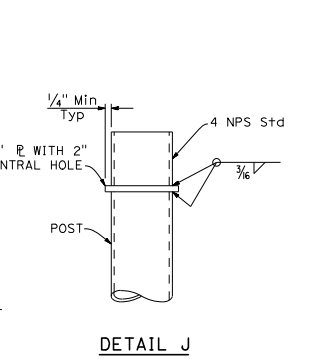
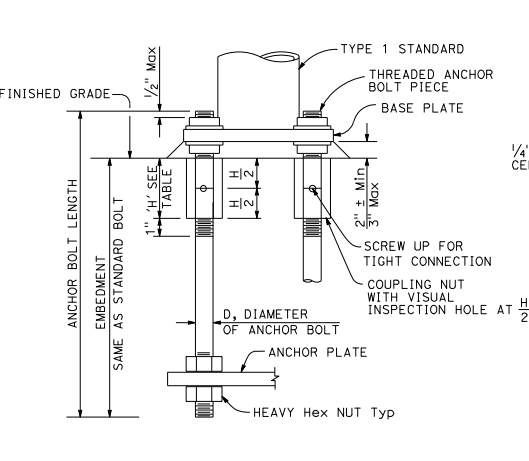
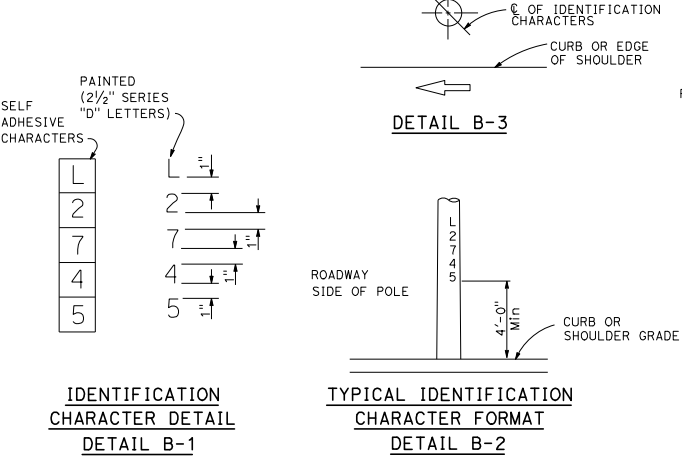
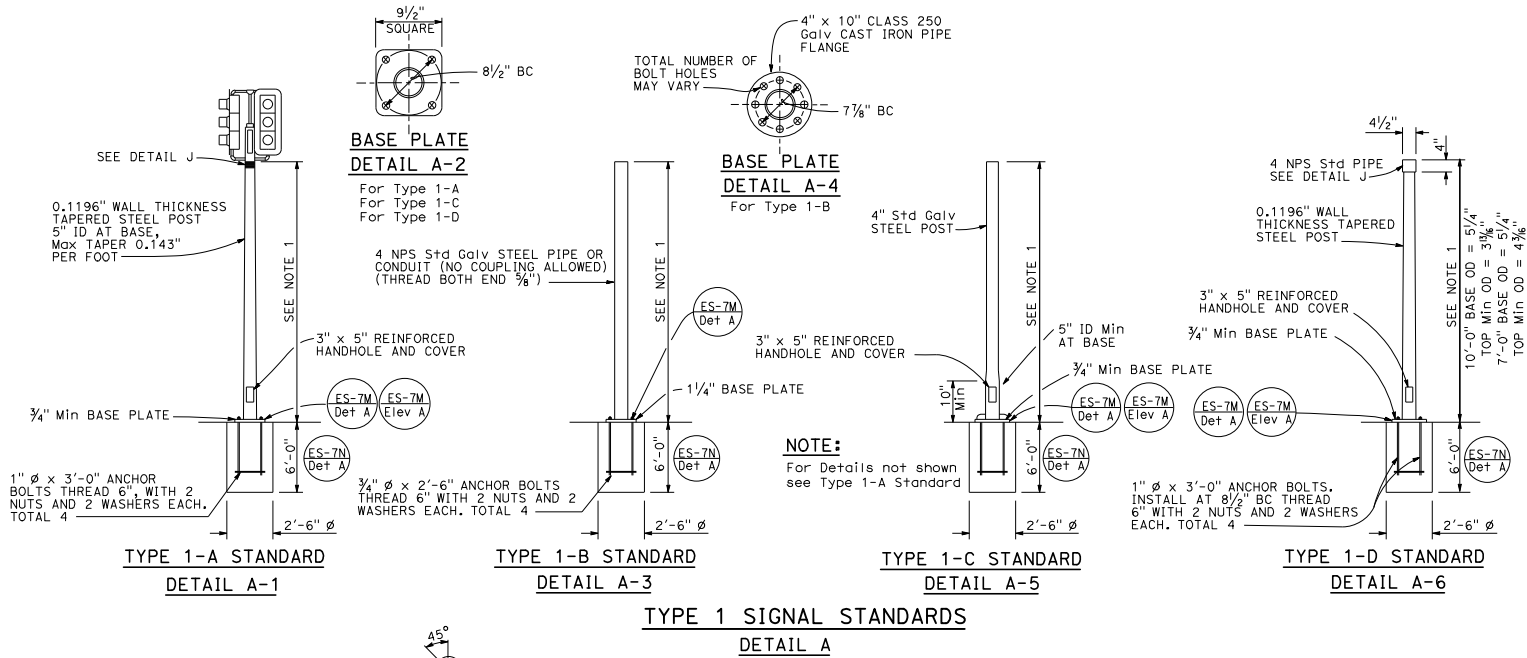
TRENCH IN PAVEMENT

STATE OF CALIFORNIA
DEPARTMENT OF TRANSPORTATION
**ELECTRICAL SYSTEMS
(TRENCH IN PAVEMENT)**
NO SCALE

RSP ES-5E DATED JANUARY 22, 2024 SUPPLEMENTS THE STANDARD PLANS BOOK DATED 2023.

REVISED STANDARD PLAN RSP ES-5E

2023 REVISED STANDARD PLAN RSP ES-5E



D16+	COUNTY	ROUTE	POST MILES TOTAL PROJECT	SHEET TOTAL SHEETS
------	--------	-------	--------------------------	--------------------

January 22, 2024
PLANS APPROVAL DATE

Stanley P. Johnson
REGISTERED CIVIL ENGINEER
No. CS1793
Exp. 3-31-24
CIVIL
STATE OF CALIFORNIA

THE STATE OF CALIFORNIA OR ITS OFFICERS OR AGENTS SHALL NOT BE RESPONSIBLE FOR THE ACCURACY OR COMPLETENESS OF SCANNED COPIES OF THIS PLAN SHEET.

- TO ACCOMPANY PLANS DATED _____
- NOTES:**
- Standards shall be 12'-0" ±2" for flashing beacons, 10'-0" ±2" for vehicle signals, and 7'-0" ±2" for pedestrian signals unless shorter pole is noted on project plans.
 - Top of standards shall be 4 1/2" OD.
 - Conduits shall extend 2" maximum above finished surface of foundation and for Types 1-A, 1-C and 1-D shall be sloped toward handhole.
 - Coupling nuts to be used only when shown or specified on project plans.

STATE OF CALIFORNIA
DEPARTMENT OF TRANSPORTATION

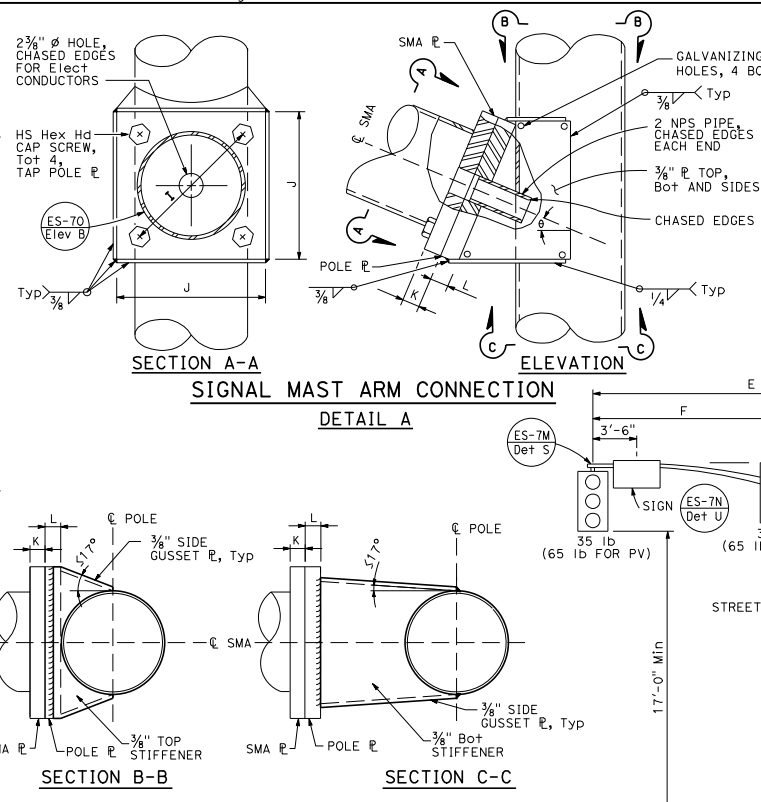
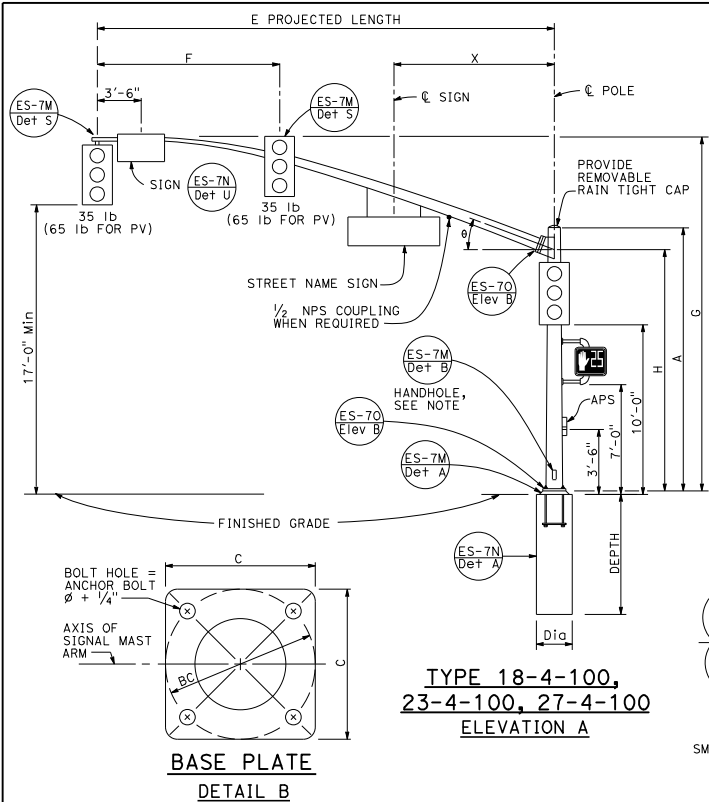
**ELECTRICAL SYSTEMS
(SIGNAL AND LIGHTING STANDARD,
TYPE 1, AND
EQUIPMENT IDENTIFICATION CHARACTERS)**

NO SCALE

RSP ES-7B DATED JANUARY 22, 2024 SUPERSEDES STANDARD PLAN ES-7B DATED MAY 1, 2023 - PAGE 553 OF THE STANDARD PLANS BOOK DATED 2023.

REVISED STANDARD PLAN RSP ES-7B

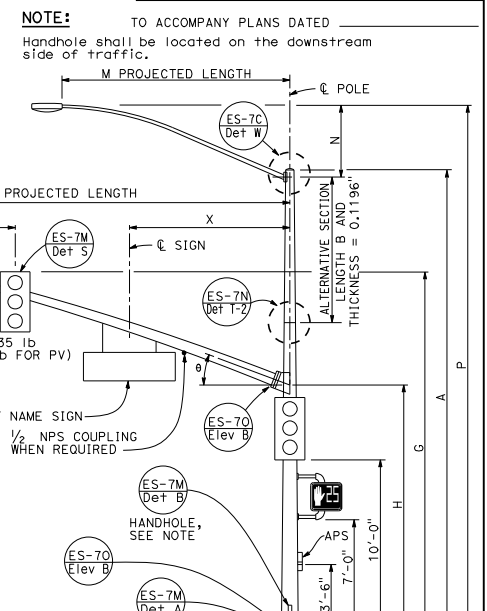
2023 REVISED STANDARD PLAN RSP ES-7B



DIST	COUNTY	ROUTE	POST MILES TOTAL PROJECT	SHEET NO.	TOTAL SHEETS

Stanley P. Johnson
 REGISTERED CIVIL ENGINEER
 No. CS1793
 Exp. 3-31-24
 CIVIL ENGINEER PROFESSIONAL SEAL
 STATE OF CALIFORNIA

January 22, 2024
 PLANS APPROVAL DATE
 THE STATE OF CALIFORNIA OR ITS OFFICERS OR AGENTS SHALL NOT BE RESPONSIBLE FOR THE ACCURACY OR COMPLETENESS OF SCANNED COPIES OF THIS PLAN SHEET.



E PROJECTED LENGTH	F Min SPACING	G MOUNTING HEIGHT	H	Min OD AT POLE	THICKNESS	BOLT CIRCLE	HS CAP SCREWS	J PLATE SIZE	K MAST ARM R THICKNESS	L POLE R THICKNESS	θ	X Max
25'-0"	10'-0"	22'-8"±	16'-0"	7 3/8"	0.2391"	12"	1 1/4"-7NC-3"	1'-3"	1 1/4"	1 1/2"	23°	10'-6"
30'-0"	12'-0"	8"										
35'-0"	14'-0"	8 1/2"										
40'-0"	15'-0"	9 3/8"										
45'-0"	15'-0"	10 1/4"										

M PROJECTED LENGTH	N RISE	Min OD AT POLE	THICKNESS	P MOUNTING HEIGHT
6'-0"	2'-0"±	3 1/4"	0.1196"	30'-0" POLE
8'-0"	2'-6"±	3 1/2"		35'-0" POLE
10'-0"	3'-3"±	3 3/8"		31'-6"±
12'-0"	4'-3"±	3 7/8"		32'-0"±
15'-0"	4'-9"±	4 1/4"		37'-0"±

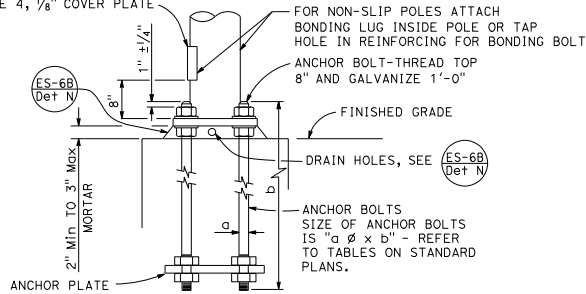
POLE TYPE	LOAD CASE	WIND VELOCITY (mph)	POLE DATA				BASE PLATE DATA				LUMINAIRE MAST ARM		SIGNAL MAST ARM		CIDH PILE FOUNDATION		
			A HEIGHT	Min OD BASE	Min OD TOP	THICKNESS	ALTERNATIVE SECTION B LENGTH	TOP	C	BC = BOLT CIRCLE	THICKNESS	ANCHOR BOLT SIZE	MIN	MAX	Min	MAX	Min
18-4-100	4	100	17'-0"	13 3/8"	0.2391" OR 0.25"	10'-0"	13 3/8"	11 3/4"	1'-11"	1'-9"	3"	2 1/4"Ø x 42"	NONE	25'-0"	3'-6"	12'-0"	
19-4-100			30'-0"	11 3/4"		10'-0"	13 3/8"	11 3/4"					6'-15'	12'-0"			30'-0"
19A-4-100			35'-0"	11"		15'-0"	13 3/8"	11"					6'-15'	15'-0"			50'-0"
23-4-100			17'-0"	13 3/8"		10'-0"	15 1/8"	13 3/4"					NONE	NONE			NONE
24-4-100			30'-0"	11 3/4"		10'-0"	15 1/8"	13 3/4"					6'-15'	12'-0"			35'-0"
24A-4-100			35'-0"	11"	15'-0"	13 3/8"	11"	6'-15'	15'-0"	35'-0"							
26-4-100			30'-0"	13 3/4"	10'-0"	15 1/8"	13 3/4"	6'-15'	12'-0"	40'-0"							
26A-4-100			35'-0"	13"	15'-0"	15 1/8"	13"	6'-15'	15'-0"	45'-0"							
27-4-100			17'-0"	15 5/8"	15'-0"	15 5/8"	13"	NONE	NONE	NONE							

□ INDICATES MAST ARM LENGTH TO BE USED UNLESS OTHERWISE NOTED ON PLANS.

TYPE 19-4-100, 19A-4-100,
 24-4-100, 24A-4-100,
 26-4-100, 26A-4-100
 ELEVATION B
 STATE OF CALIFORNIA
 DEPARTMENT OF TRANSPORTATION
**ELECTRICAL SYSTEMS
 (SIGNAL AND LIGHTING STANDARD,
 CASE 4 SIGNAL MAST ARM LOADING,
 WIND VELOCITY = 100 MPH AND
 SIGNAL MAST ARM LENGTHS 25' TO 45')**
 NO SCALE
 RSP ES-7F DATED JANUARY 22, 2024 SUPERSEDES STANDARD PLAN ES-7F
 DATED MAY 1, 2023 - PAGE 557 OF THE STANDARD PLANS BOOK DATED 2023.
REVISED STANDARD PLAN RSP ES-7F

2023 REVISED STANDARD PLAN RSP ES-7F

4" x 6 1/2" ROUNDED RECTANGLE OR 4 1/2" x 7" OVAL HANDHOLE REINFORCED WITH RING WELDED TO OUTSIDE OF POLE.
SEE NOTE 4, 1/8" COVER PLATE

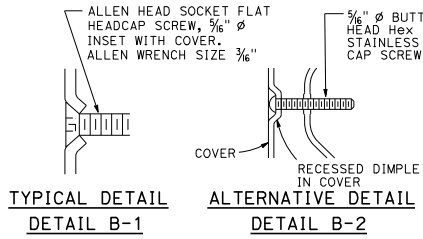


HANDHOLE AND ANCHORAGE

DETAIL A

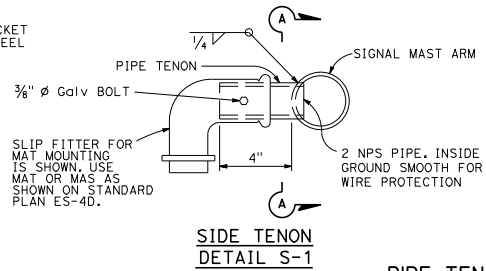
IDENTIFICATION NUMBER

1. Attach a stamped metal tag with pole's identification number above the handhole. 1/4" high number, minimum.
2. Attach a stamped metal tag with mast arm's identification number to the bottom of the signal mast arm near the pole plate. 1/4" high number, minimum.

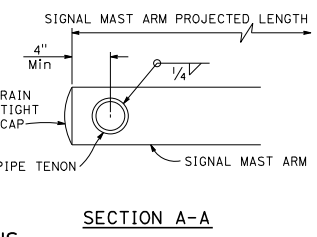


TYPICAL DETAIL DETAIL B-1

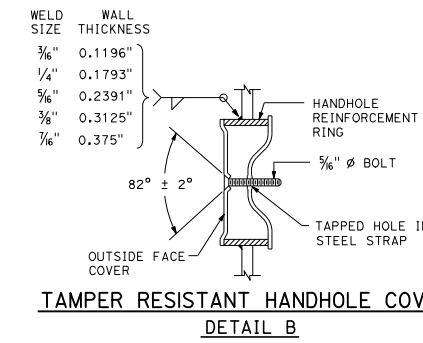
ALTERNATIVE DETAIL DETAIL B-2



SIDE TENON DETAIL S-1

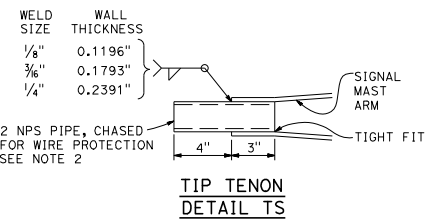


SECTION A-A



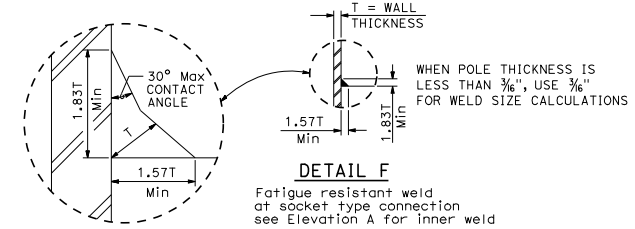
TAMPER RESISTANT HANDHOLE COVER DETAIL B

PIPE TENONS DETAIL S

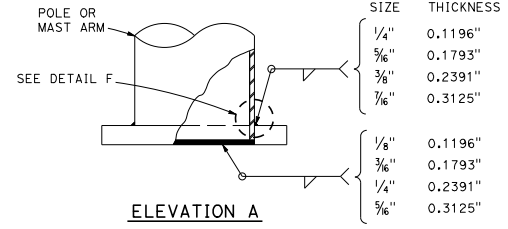


TIP TENON DETAIL TL
This detail supersedes Detail S when so designated

TIP TENON DETAIL TS



DETAIL F
Fatigue resistant weld at socket type connection see Elevation A for inner weld



ELEVATION A

SAMPLE IDENTIFICATION NUMBER

Type Load case (Use SL for special load case) Design wind velocity (mph) Signal mast arm length (ft) (Near handhole) Maximum signal mast arm length (ft) (Near pole plate) Standard plan year Only for poles or mast arms using Detail F Only for poles or mast arms using Standard Plan ES-70

26A - 3 - 100 - 45 - 10 - F or FB

NOTES:

1. Provide a Hex nut, leveling nut and 2 washers for each bolt.
2. Luminaire mast arms shall be round, tapered steel tubes, taper of 0.1375" to 0.143-inch per foot with an end section 2 3/8" OD for mounting hardware. Extensions of 2 NPS Standard pipe and 7" long may be used at the option of the manufacturer. When low pressure sodium luminaires are required, the extension shall be 1'-3".
3. Signal mast arms shall be round, tapered steel tubes, maximum taper 0.143-inch per foot.
4. Handhole reinforcement ring shall be 1/4" x 2" for 0.1196" to 0.2391" thick poles, 3/8" x 2" for 0.3125" to 0.375" thick poles.
5. Handholes shall be located on the downstream side of traffic.
6. Detail F, fatigue resistant weld, is required at socket welded signal mast arm plate and pole base plate.
7. Cap screws shall be tightened by the turn-of-nut method 1/3 turn from a snug tight condition. No washer will be required.
8. Outside diameter, wall thickness, and corresponding section properties of poles and mast arms as shown in the Standard Plans are minimums. Unless otherwise specified, alternative sections shall require approval by the Engineer.
9. Design: AASHTO Standard Specifications for Structural Support for Highway Signs, Luminaires, and Traffic Signals, 6th Edition. Basic Wind Speed = 100 mph (3 seconds gust). Yearly Mean Wind Velocity = 15.6 mph.
10. Materials (Structural steel):
fy = 55,000 psi (tapered steel tube and anchor bolts)
fy = 50,000 psi (unless otherwise noted)
11. Materials (Reinforced concrete):
f'c = 3,625 psi
fy = 60,000 psi
12. End of luminaire arm may be swaged down to 2 3/8" outside diameter.

DIST	COUNTY	ROUTE	POST MILES TOTAL PROJECT	SHEET NO.	TOTAL SHEETS

REGISTERED CIVIL ENGINEER
January 22, 2024
PLANS APPROVAL DATE
No. CS1793
Exp. 3-31-24
CIVIL
STATE OF CALIFORNIA

TO ACCOMPANY PLANS DATED _____

STATE OF CALIFORNIA
DEPARTMENT OF TRANSPORTATION

**ELECTRICAL SYSTEMS
(SIGNAL AND LIGHTING STANDARD,
DETAIL No. 1)**

NO SCALE

RSP ES-7M DATED JANUARY 22, 2024 SUPERSEDES STANDARD PLAN ES-7M
DATED MAY 1, 2023 - PAGE 563 OF THE STANDARD PLANS BOOK DATED 2023.

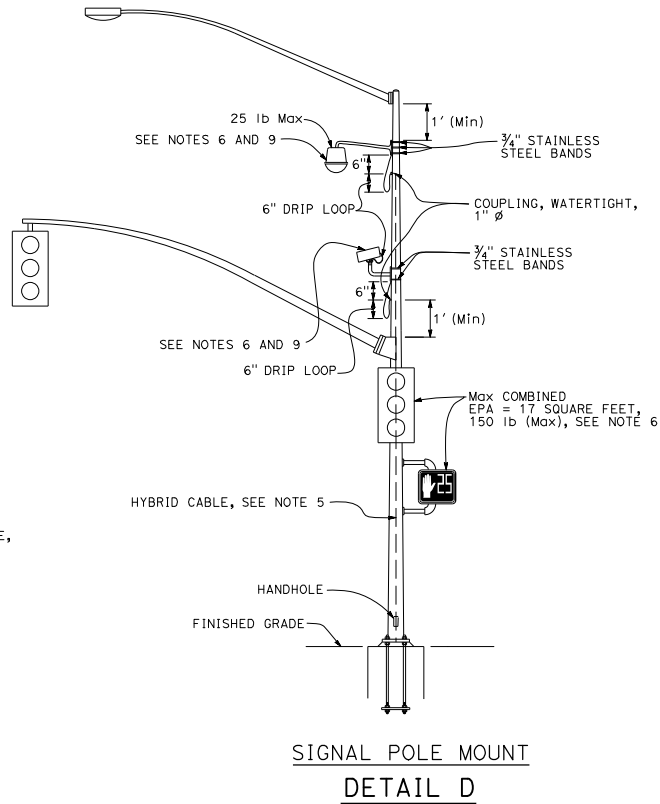
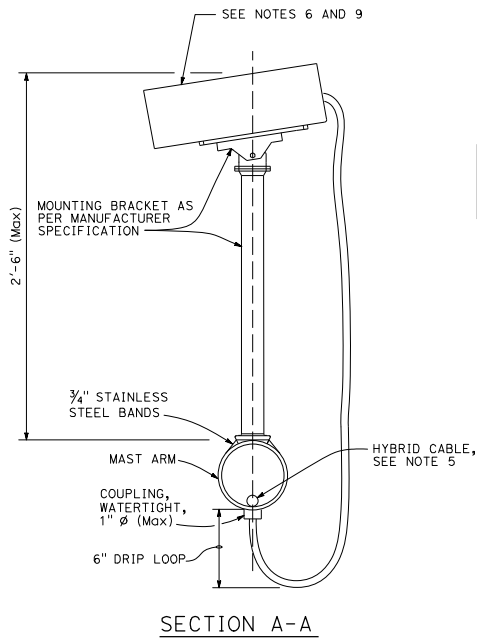
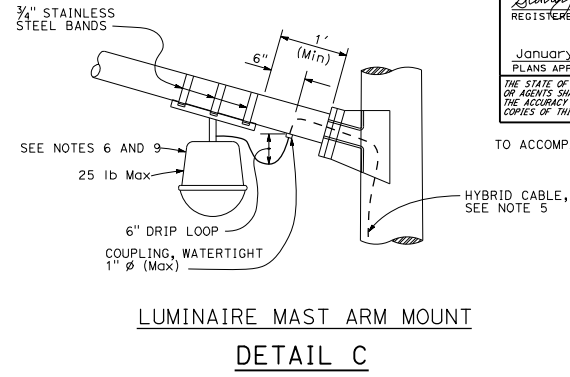
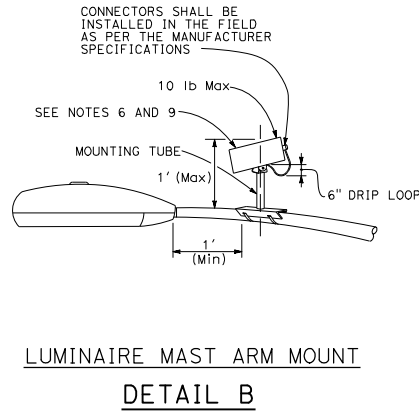
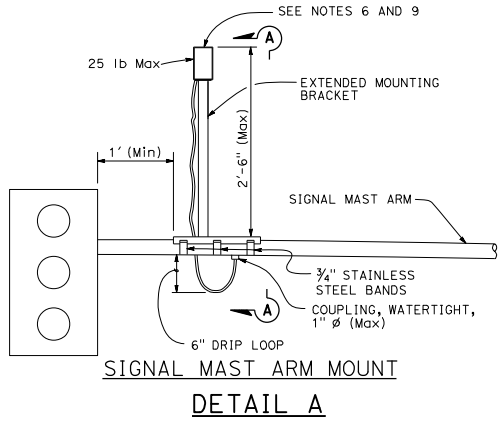
REVISED STANDARD PLAN RSP ES-7M

2023 REVISED STANDARD PLAN RSP ES-7M

DIST	COUNTY	ROUTE	POST MILES TOTAL PROJECT	SHEET NO.	TOTAL SHEETS

Stanley P. Johnson
 REGISTERED CIVIL ENGINEER
 January 22, 2024
 PLANS APPROVAL DATE:
 No. CS1793
 Exp. 3-31-24
 CIVIL
 REGISTERED PROFESSIONAL ENGINEER
 STATE OF CALIFORNIA

THE STATE OF CALIFORNIA OR ITS OFFICERS
 OR AGENTS SHALL NOT BE RESPONSIBLE FOR
 THE ACCURACY OR COMPLETENESS OF SCANNED
 COPIES OF THIS PLAN SHEET.



NOTES:

- Exact mounting location of miscellaneous attachment and bracket shall be approved by the Engineer per manufacturer's recommendation.
- Location of cable entrances on signal pole shall be a minimum of 1' from any flange or base plate.
- Hybrid cable entrances on signal pole shall be drilled for weathertight coupling as required.
- Hybrid cable shall have a drip loop at the entrance into signal pole, luminaire mast arm and signal mast arm.
- A single hybrid cable shall run continuous and shall not be twisted from the miscellaneous attachment to the controller cabinet. No splices shall be allowed.
- Use the manufacturer's Effective Projected Area (EPA) for miscellaneous attachment. The maximum EPA for each miscellaneous attachment shall be 1.6 square feet.
- Maximum of two miscellaneous attachments per traffic signal standard.
- Maximum of one miscellaneous attachment per mast arm.
- Miscellaneous attachment shall be mounted using clamping devices.

STATE OF CALIFORNIA
 DEPARTMENT OF TRANSPORTATION
**ELECTRICAL SYSTEMS
 (SIGNAL AND LIGHTING,
 MISCELLANEOUS ATTACHMENT)**
 NO SCALE

RSP ES-7R DATED JANUARY 22, 2024 SUPERSEDES STANDARD PLAN ES-7R
 DATED MAY 1, 2023 - PAGE 567 OF THE STANDARD PLANS BOOK DATED 2023.
REVISED STANDARD PLAN RSP ES-7R

2023 REVISED STANDARD PLAN RSP ES-7R